

LPSW Series

Low Profile 1xN PLC Splitter Module

FTTx

MDU

Utility/Municipality

OSP PON Cabinets



LPSW1640SA51

1xN Planar Light wave Circuit (PLC) Splitters are based on the Plasma Chemical Vapor Deposition (P-CVD) technology for providing stable optical performance characteristics. PLC Splitter features guaranteed performance specifications and high reliability that surpass Telcordia requirements and is suitable for many singlemode optical splitting applications.

KEY PRODUCT BENEFITS

- ▶ Low insertion loss and high maximum power tolerance
- ▶ Excellent splitting uniformity over broadband operating wavelengths
- ▶ Small rugged module packaging
- ▶ G.657.B3, G.652.D compatible improved bend loss fiber
- ▶ Available with SC or LC connectors
- ▶ Installations in extreme temperatures down to -40°C

INDUSTRY STANDARDS

- ▶ Meets ITU-T G.657.B3, G.652.D, GR-326, GR-1209, GR-1221, TPR.9427, TPR.9405 Compliance



Tii Technologies Inc.

Corporate Headquarters:

141 Rodeo Drive

Edgewood, NY 11717

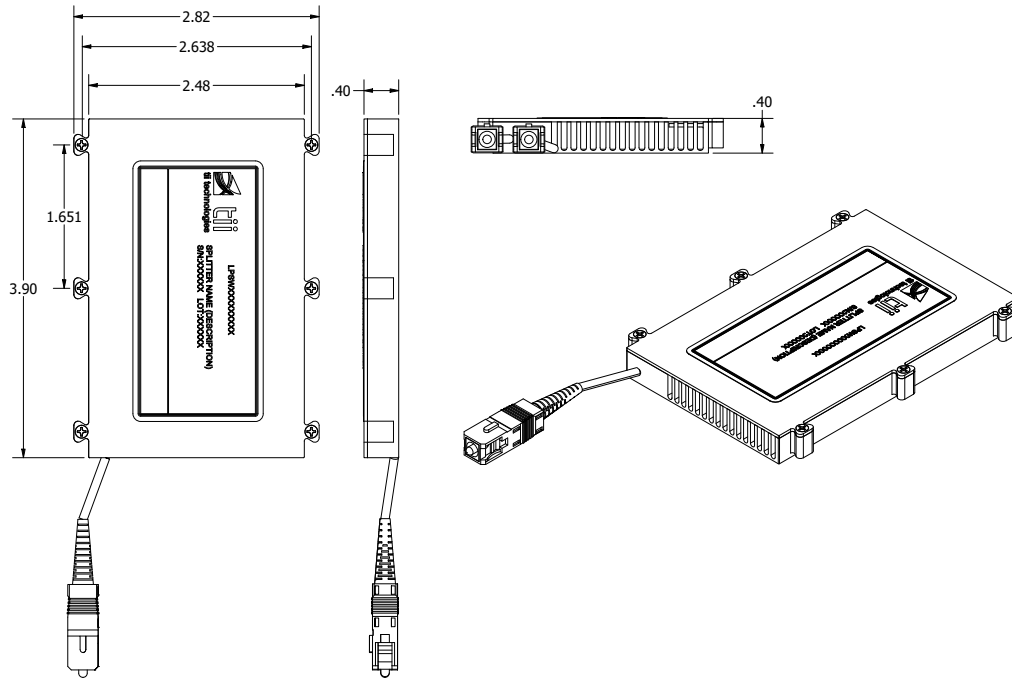
Phone: 631.789.5000

Fax: 631.789.5063

Toll Free: 888.844.4720

sales@tiitech.com

LPSW Series



Dimensions are in Inches - Output fibers not shown

Parameter*	1x64
Operating Wavelength	1260nm ~ 1650nm
Insertion Loss, Max	20.5
Insertion Loss, Typical	19.5
Uniformity, Max	<2.0dB
PDL, Max.	<0.4dB
WDL	0.5dB
Return Loss, Min	50 dB UPC, 55 dB APC
Directivity, Min	55 dB
Cable Type	1.6 mm
Operating Temperature	-40° C to +85° C
Module Dimensions	2.48" x 3.90" x 0.40" (63mm x 100mm x 10mm)

*Parameter performance values from -40° C to +85° C, unterminated.

ORDERING INFORMATION

LPSW	XXX	X	XX	XX
	Ports	Fiber Input Style	Connector	Leg Length
	164	0 = Standard	SA = SC-APC SC = SC-UPC LA = LC-APC LC = LC-UPC	1M = 1 Meter 5F = 5 Feet 51 = 51 Inches 54 = 54 Inches (4.5 Ft.)

INFORMATION CONTAINED IN THIS PUBLICATION IS PROVIDED ONLY FOR YOUR CONVENIENCE AND IS SUBJECT TO CHANGE WITHOUT NOTICE. TII TECHNOLOGIES MAKES NO REPRESENTATIONS OR WARRANTIES OF ANY KIND WHETHER EXPRESS OR IMPLIED, WRITTEN OR ORAL, STATUTORY OR OTHERWISE, RELATED TO THE INFORMATION, INCLUDING BUT NOT LIMITED TO ITS CONDITION, QUALITY, PERFORMANCE, MERCHANTABILITY OR FITNESS FOR PURPOSE; AND TII TECHNOLOGIES DISCLAIMS ALL LIABILITY ARISING FROM THE USE OF THIS INFORMATION.

THIS PRODUCT IS MADE SUBJECT TO A LICENSE FROM CORNING OPTICAL COMMUNICATIONS, LLC