

## LPS Series

### Low Profile 1xN PLC Splitter Module

FTTx

MDU

Utility/Municipality

OSP PON Cabinets



**Tii Technologies Inc.**

**Corporate Headquarters:**

141 Rodeo Drive  
Edgewood, NY 11717  
Phone: 631.789.5000  
Fax: 631.789.5063  
Toll Free: 888.844.4720  
sales@tiitech.com

[www.tiitech.com](http://www.tiitech.com)



LPS01320SA51

1xN Planar Light wave Circuit (PLC) Splitters are based on the Plasma Chemical Vapor Deposition (P-CVD) technology for providing stable optical performance characteristics. PLC Splitter features guaranteed performance specifications and high reliability that surpass Telcordia requirements and is suitable for many Singlemode optical splitting applications.

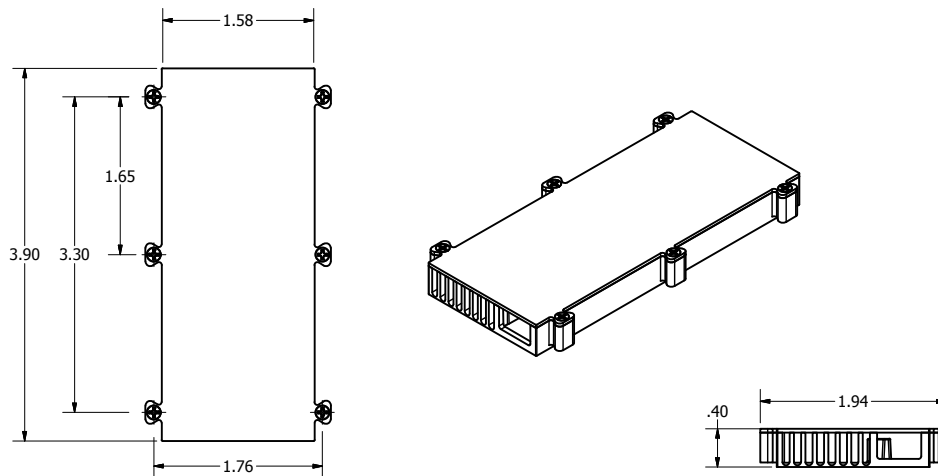
#### KEY PRODUCT BENEFITS

- ▶ Extremely high density, 1x32 supports 12.8 splits per cubic inch
- ▶ Low insertion loss and high maximum power tolerance
- ▶ Excellent splitting uniformity over broadband operating wavelengths
- ▶ Small rugged module packaging
- ▶ G.657.B3, G.652.D compatible improved bend loss fiber
- ▶ Available with SC or LC connectors
- ▶ Adapters available to fit a variety of industry footprints
- ▶ Installations in extreme temperatures down to -40°C

#### INDUSTRY STANDARDS

- ▶ Meets ITU-T G.657.B3, G.652.D, GR-326, GR-1209, GR-1221, TPR.9427, TPR.9405 Compliance

# LPS Series



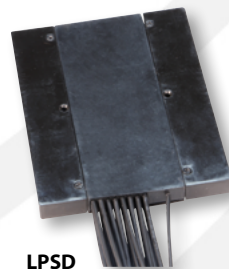
Dimensions are in Inches

Parameters*	1x4	1x8	1x16	1x32
Operating Wavelength	1260nm ~ 1650nm			
Insertion Loss, Max	7.5 dB	10.8 dB	13.5 dB	16.7 dB
Insertion Loss, Typical	7.2 dB	10.5 dB	13.2 dB	15.7 dB
Uniformity, Max	0.6 dB	0.8 dB	1.2 dB	1.5 dB
PDL, Max.	0.3 dB	0.3 dB	0.3 dB	0.3 dB
WDL	0.3 dB	0.3 dB	0.5 dB	0.5 dB
Return Loss, Min	50 dB UPC, 55 dB APC			
Directivity, Min	55 dB			
Cable Type	1.6 mm			
Operating Temperature	-40° C to +85° C			
Module Dimensions	1.58" x 3.90" x 0.40" (40mm x 100mm x 10mm)			

\*Parameter performance values from -40° C to +85° C, unterminated.

## ORDERING INFORMATION

LPS	X	XXX	X	XX	XX
	Adapter Type	Ports	Fiber Input Style	Connector	Leg Length
	0 = None	104	0 = Input on Same Side as Outputs	SA	1M = 1 Meter
	M = PLCM	108	1 = Input on Opposite Side of Outputs	SC	5F = 5 Feet
	D = PLCD	116	L = LC Adapter Input	LA	51 = 51 Inches
		132		LC	54 = 54 Inches (4.5 Ft.)



LPSD



LPSM

INFORMATION CONTAINED IN THIS PUBLICATION IS PROVIDED ONLY FOR YOUR CONVENIENCE AND IS SUBJECT TO CHANGE WITHOUT NOTICE. TII TECHNOLOGIES MAKES NO REPRESENTATIONS OR WARRANTIES OF ANY KIND WHETHER EXPRESS OR IMPLIED, WRITTEN OR ORAL, STATUTORY OR OTHERWISE, RELATED TO THE INFORMATION, INCLUDING BUT NOT LIMITED TO ITS CONDITION, QUALITY, PERFORMANCE, MERCHANTABILITY OR FITNESS FOR PURPOSE; AND TII TECHNOLOGIES DISCLAIMS ALL LIABILITY ARISING FROM THE USE OF THIS INFORMATION.

THIS PRODUCT IS MADE SUBJECT TO A LICENSE FROM CORNING OPTICAL COMMUNICATIONS, LLC