

FSMx Series

Fiber Splitter Module

FTTP

MDU

PON



Singlemode high density couplers/splitters are passive optical assemblies that split and combine signals in fiber networks. PLC Splitters feature guaranteed performance specifications and high reliability. Their LGX compatible module design provides a plug-in style robust method for integration in the network.

KEY BENEFITS

- ▶ High density LGX compatible module
- ▶ Low insertion loss and high power tolerance
- ▶ Excellent splitter uniformity over broadband operating wavelengths
- ▶ Bidirectional

INDUSTRY STANDARDS

- ▶ ITU-T G.657A
- ▶ GR-326, GR-1209, GR1221

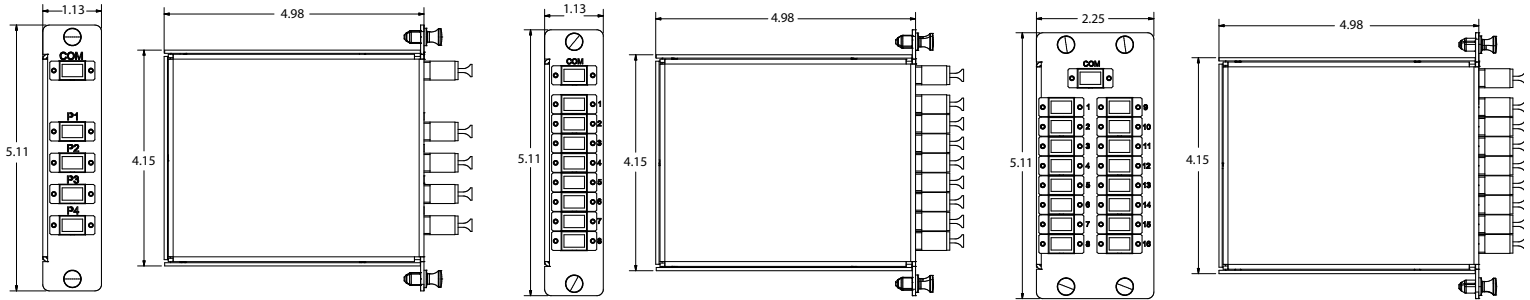


Tii Technologies Inc.

Corporate Headquarters:

141 Rodeo Drive
Edgewood, NY 11717
Phone: 631.789.5000
Fax: 631.789.5063
Toll Free: 888.844.4720
sales@tiitech.com

FSMX Series



Dimensions are in Inches

SPECIFICATIONS

Parameters	1x4	1x8	1x16	1x32
Operating Wavelength	1260 ~ 1625 nm			
Insertion Loss, Max	8 dB	11.3 dB	13.5 dB	16.7 dB
Uniformity	0.9 dB	1.1 dB	1.3 dB	1.5 dB
PDL, Max.	0.2 dB	0.3 dB	0.3 dB	0.3 dB
Return Loss, Min.	-50 UPC -55 APC dB			
Operating Temp.	-40 to +85 °C			
LGX Slots	1	1	2	4
Packaging	8" x 8" x 2"	8" x 8" x 2"	8" x 8" x 4"	8" x 8" x 8"
Weight	2 lbs.	2 lbs.	3 lbs.	4 lbs.

ORDERING INFORMATION

Interface	Splitter	Model Number	LGX Slots	Input Ports	Output Ports
LC-APC	1:04	FSM1-104RLAB	1	1	4
	1:08	FSM1-108RLAB	1	1	8
	1:16	FSM1-116RLAB	1	1	16
LC-UPC	1:04	FSM1-104RLCB	1	1	4
	1:08	FSM1-108RLCB	1	1	8
	1:16	FSM1-116RLCB	1	1	16
SC-APC	1:04	FSM1-104RSAB	1	1	4
	1:08	FSM1-108RSAB	1	1	8
	1:16	FSM2-116RSAB	2	1	16
SC-UPC	1:04	FSM1-104RSCB	1	1	4
	1:08	FSM1-108RSCB	1	1	8
	1:16	FSM2-116RSCB	2	1	16

INFORMATION CONTAINED IN THIS PUBLICATION IS PROVIDED ONLY FOR YOUR CONVENIENCE AND IS SUBJECT TO CHANGE WITHOUT NOTICE. TII TECHNOLOGIES MAKES NO REPRESENTATIONS OR WARRANTIES OF ANY KIND WHETHER EXPRESS OR IMPLIED, WRITTEN OR ORAL, STATUTORY OR OTHERWISE, RELATED TO THE INFORMATION, INCLUDING BUT NOT LIMITED TO ITS CONDITION, QUALITY, PERFORMANCE, MERCHANTABILITY OR FITNESS FOR PURPOSE; AND TII TECHNOLOGIES DISCLAIMS ALL LIABILITY ARISING FROM THE USE OF THIS INFORMATION.