

MP1U3B MP1U3BSS

Rackmount Master Plate

CPE/Premise Wiring

Data Center

DOT

FTTP

MDU

PON

Utility/Municipality

Wireless



MP1U3B



MP1U3BSS

The MP1U3B is a 1 RU 19 inch rackmount master plate with 3 LGX module/cassette capacity. Available with and without backbone cable slack storage support.

KEY PRODUCT BENEFITS

- ▶ 1RU 19" rack mountable
- ▶ 3 LGX adapter plates or MTP module capacity
- ▶ Used in Remote Distribution Centers, Telecom Closets
- ▶ Cost effective application for smaller fiber installations



Tii Technologies Inc.

Corporate Headquarters:

141 Rodeo Drive

Edgewood, NY 11717

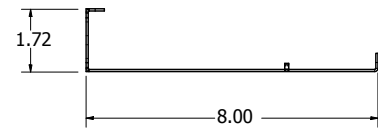
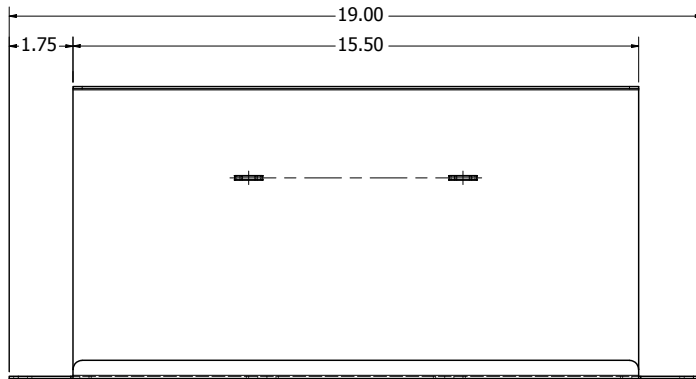
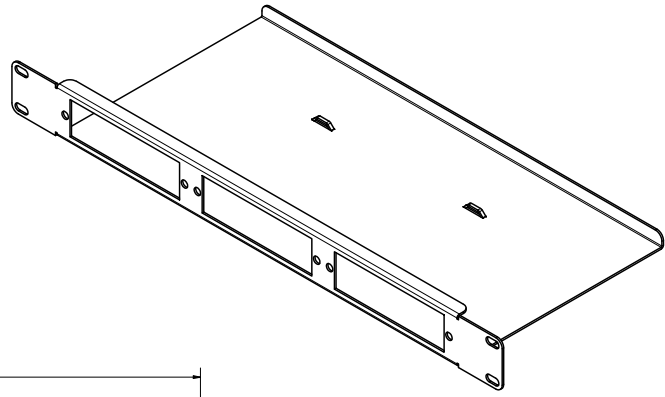
Phone: 631.789.5000

Fax: 631.789.5063

Toll Free: 888.844.4720

sales@tiitech.com

MP1U3B, MP1U3BSS



Dimensions are in Inches

SPECIFICATIONS

	MP1U3B	MP1U3BSS
Module Capacity	3	3
Protrusion	0"	0"
Dimensions	1.75" x 19.0" x 0.5"	1.75" x 19.0" x 8.0"
Packaging	5.0" x 21.0" x 11.0"	5.0" x 21.0" x 11.0"
Weight	2 lbs.	4.5 lbs.
Material	CRS, Black powder coat	

ORDERING INFORMATION

Model #	Description
MP1U3B	1RU Master Plate 3 LGX Module Capacity
MP1U3BSS	1RU Master Plate 3 LGX Module Capacity with Slack Storage Support
MFM-xxxxxxx	MTP cassette (See MFM Series datasheet)
FSM-xxxxxxx	Fiber coupler/splitter module (See FSM Series datasheet)

INFORMATION CONTAINED IN THIS PUBLICATION IS PROVIDED ONLY FOR YOUR CONVENIENCE AND IS SUBJECT TO CHANGE WITHOUT NOTICE. TII TECHNOLOGIES MAKES NO REPRESENTATIONS OR WARRANTIES OF ANY KIND WHETHER EXPRESS OR IMPLIED, WRITTEN OR ORAL, STATUTORY OR OTHERWISE, RELATED TO THE INFORMATION, INCLUDING BUT NOT LIMITED TO ITS CONDITION, QUALITY, PERFORMANCE, MERCHANTABILITY OR FITNESS FOR PURPOSE; AND TII TECHNOLOGIES DISCLAIMS ALL LIABILITY ARISING FROM THE USE OF THIS INFORMATION.