

## ONT-PWRDIN-U

*Universal  
Mounting  
Power Module*

CPE/Premise Wiring

FTTP

MDU



ONT-PWRDIN-U

The ONT-PWRDIN-U Connection Module is designed to conveniently field terminate power and alarm conductors during installation of ONTs and power adapters.

### KEY PRODUCT BENEFITS

- ▶ Easily mounts into ONT enclosure
- ▶ Terminations are made to gel-sealed insulation displacement contacts (IDC) by means of convenient tool-less rocker assemblies
- ▶ Wire stripping is not required
- ▶ Rocker assemblies are color coded and marked for easy recognition and installation
- ▶ Accepts One (1) 24 AWG Tool-less IDC termination and Two (2) 16 AWG power connectors. Outdoor Pigtail: 9-pin mini DIN connector

### INDUSTRY STANDARDS

- ▶ cUL Listed to 1863
- ▶ RoHS Compliant



**Tii Technologies Inc.**

**Corporate Headquarters:**

141 Rodeo Drive

Edgewood, NY 11717

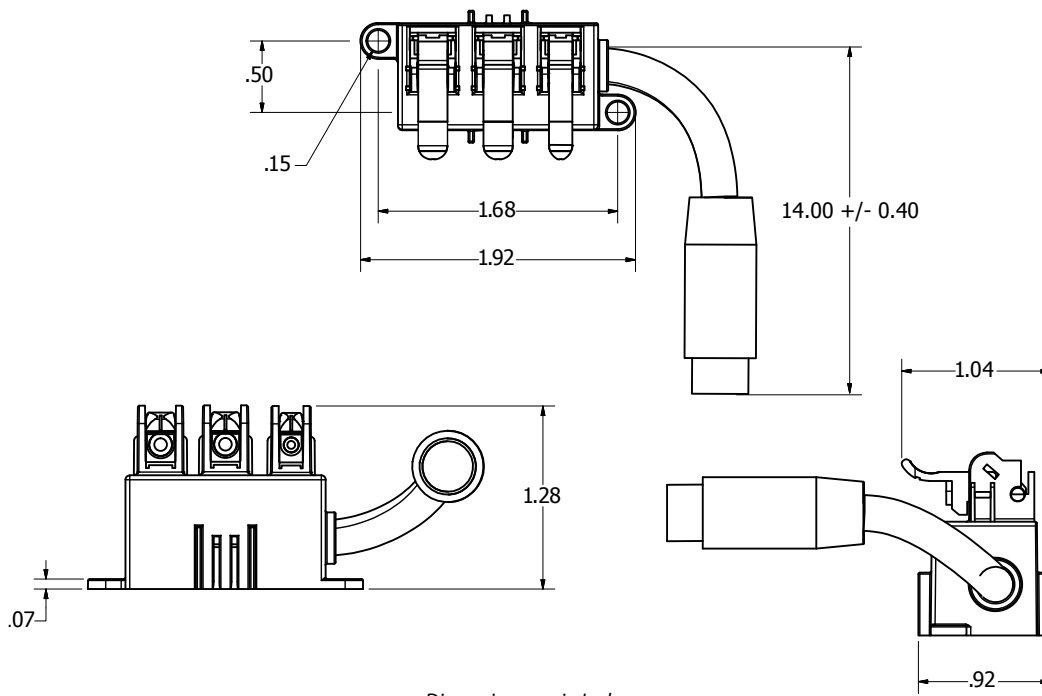
Phone: 631.789.5000

Fax: 631.789.5063

Toll Free: 888.844.4720

sales@tiitech.com

# ONT-PWRDIN-U



## ORDERING INFORMATION

Model No.	Description
<b>ONT-PWRDIN-U</b>	Power Module with DIN Connector Output, Two DC Power Inputs and One Alarm Input