

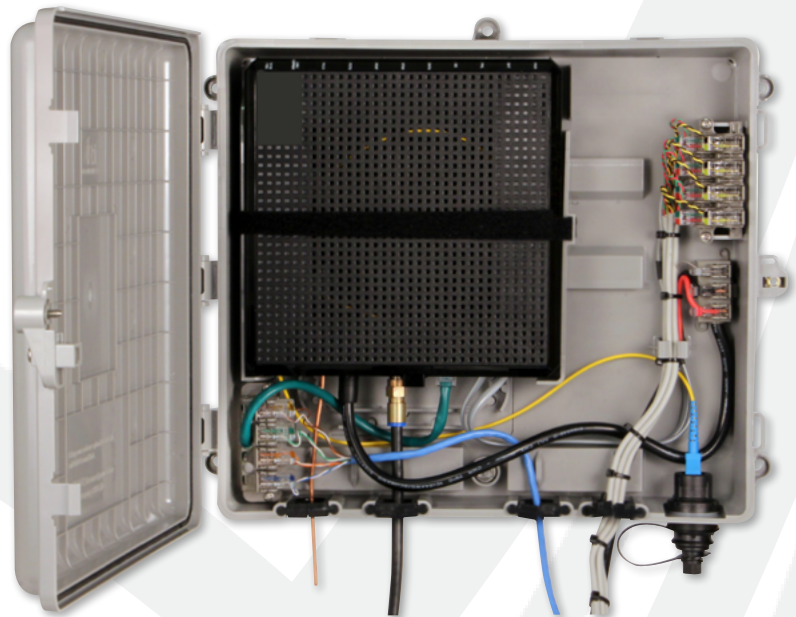
OD-ONT-ENC

Outdoor Optical Network Terminal Enclosure

CPE/Premise Wiring

FTTP

MDU



OD-ONT-ENC shown with Tii's ONT-PWRDIN-U, 62-2 and 61-1-45 along with other typical FTTP components (not included)

Tii's OD-ONT-ENC is a high performance Outdoor ONT Enclosure designed to house the components of a typical Fiber To The Home installation including an Optical Network Terminal, Tii's ONT-PWRDIN-U Power Connector, Tii's 62-2 Connectivity Block and Tii's 61-1-45 CAT5e block to terminate ethernet connections to the ONT. Designed to mount to a wall, or directly on top of an optional slack storage enclosure, Tii's model OD-ONT-SSENC.

These rugged enclosures are constructed of superior materials capable of withstanding harsh outdoor environments including UV degradation, rain and snow, chemical exposure, and extreme temperatures. The enclosure is designed to protect an active ONT from the outdoor elements, in particular water and dust.

KEY PRODUCT BENEFITS (OD-ONT-ENC)

- ▶ Multiple grommeted cable entry/exit ports
- ▶ Integrated cable management and strain relief features for cable entry/exit ports
- ▶ Adjustable ONT mounting scheme accommodates any ONT up to 7x9 Inches without the use of tools
- ▶ Mounting provision for hardened fiber connector to SC Adapter (not included)
- ▶ Integrated fiber slack storage for bend insensitive fiber jumper to ONT
- ▶ Mounts directly to wall, or on top of fiber slack storage unit OD-ONT-SSENC
- ▶ Matches the look and feel of Tii's OD-ONT-SSENC
- ▶ Craft friendly installation - installation practice closely follows the installation practice of Tii's Just Inside ONT Enclosure model ONT-ENC

KEY PRODUCT BENEFITS (OD-ONT-SSENC)

- ▶ Slack storage for up to 75 feet of fiber
- ▶ Mounts directly to wall with provision to mount Outdoor ONT Enclosure model OD-ONT-ENC directly on top
- ▶ Includes mounting bracket to hold optional hardened fiber connector to SC Adapter (not included) for termination of the OSP Flat Drop Cable and demarcation to the Bend Insensitive Fiber Jumper to the ONT
- ▶ Multiple slack storage and optional adapter plate configurations available: 4 port patch with 2 fusion splice capacity, 6 port patch only, 12 port patch only
- ▶ Optional cover available for standalone slack storage applications

INDUSTRY STANDARDS

- ▶ cUL Listed to 2416
- ▶ Designed to meet GR-487 and GR-950 requirements



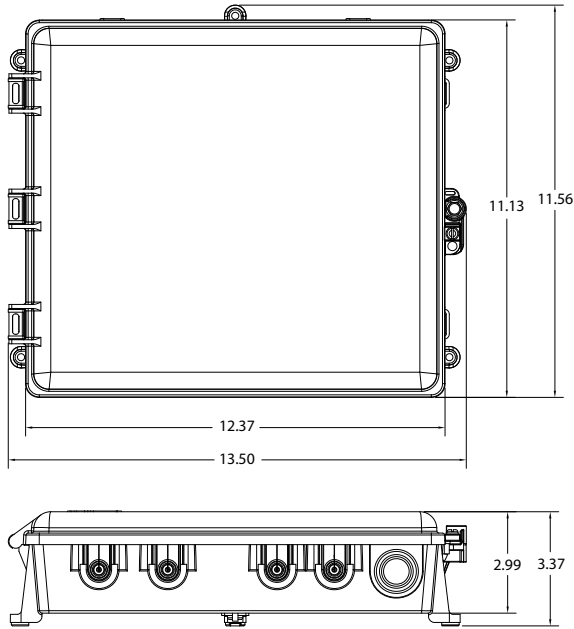
Tii Technologies Inc.

Corporate Headquarters:

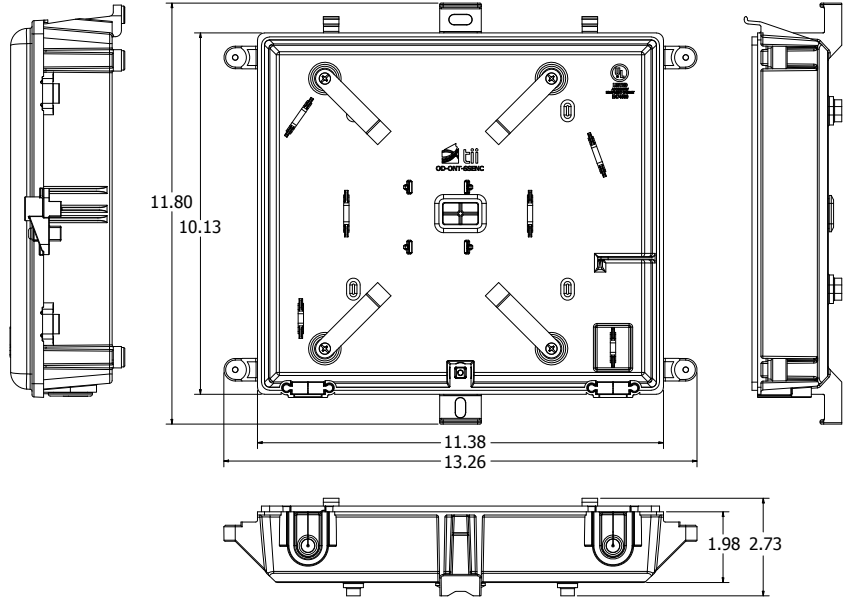
141 Rodeo Drive
Edgewood, NY 11717
Phone: 631.789.5000
Fax: 631.789.5063
Toll Free: 888.844.4720
sales@tiitech.com

www.tiitech.com

OD-ONT-ENC



OD-ONT-ENC



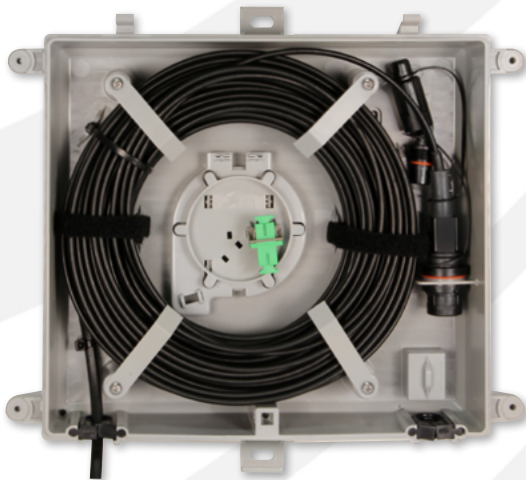
OD-ONT-SSENC

Dimensions are in Inches

ORDERING INFORMATION

Model No.	Description
OD-ONT-ENC	Outdoor Optical Network Terminal Enclosure
OD-ONT-SSENC	Outdoor Optical Network Terminal Slack Storage Enclosure – no cover
OD-ONT-SSC	Cover for OD-ONT-SSENC

THE OD-ONT-SSENC PRODUCT IS MADE SUBJECT TO A LICENSE FROM CORNING OPTICAL COMMUNICATIONS LLC.



OD-ONT-SSENC shown with OSP drop cable, Hardened Fiber Connector to SC Adapter and FP-01-01-01 Fiber Adapter Plate (not included)



*Optional Cover
OD-ONT-SSC*

INFORMATION CONTAINED IN THIS PUBLICATION IS PROVIDED ONLY FOR YOUR CONVENIENCE AND IS SUBJECT TO CHANGE WITHOUT NOTICE. TII TECHNOLOGIES MAKES NO REPRESENTATIONS OR WARRANTIES OF ANY KIND WHETHER EXPRESS OR IMPLIED, WRITTEN OR ORAL, STATUTORY OR OTHERWISE, RELATED TO THE INFORMATION, INCLUDING BUT NOT LIMITED TO ITS CONDITION, QUALITY, PERFORMANCE, MERCHANTABILITY OR FITNESS FOR PURPOSE; AND TII TECHNOLOGIES DISCLAIMS ALL LIABILITY ARISING FROM THE USE OF THIS INFORMATION.