

## FDH7 Series

### Modular FDH Pole/Pad Mount Enclosure

PON

FTTx

MDU



FDH7AATRSAJN0N0L3100

Fiber Distribution Hubs (FDH) are a weatherproof family of metal enclosures for outdoor use which can be pole, wall or pad mounted. The FDH is configured as a high density modular cassette PON solution for up to 432 customer service drops. Flexible design and options support a wide range of deployment styles including fusion splicing, field termination, and are backwards compatible to multiple suppliers' PLC splitter modules.

#### KEY PRODUCT BENEFITS

- ▶ 432 fiber distribution and PON splitting
- ▶ Modular patch & splice cassettes for added flexibility
- ▶ Available with feeder and distribution factory stubs
- ▶ Additional splicing capacity for express cables
- ▶ Side door distribution access
- ▶ Removable doors with padlock hasp
- ▶ Pole, wall and pad mount options
- ▶ Pad skirt options for extra slack storage

#### INDUSTRY STANDARDS COMPLIANCE

- ▶ GR-3125, GR-1209, GR-1221, GR-326, GR-20



**Tii Technologies Inc.**

#### Corporate Headquarters:

141 Rodeo Drive  
Edgewood, NY 11717

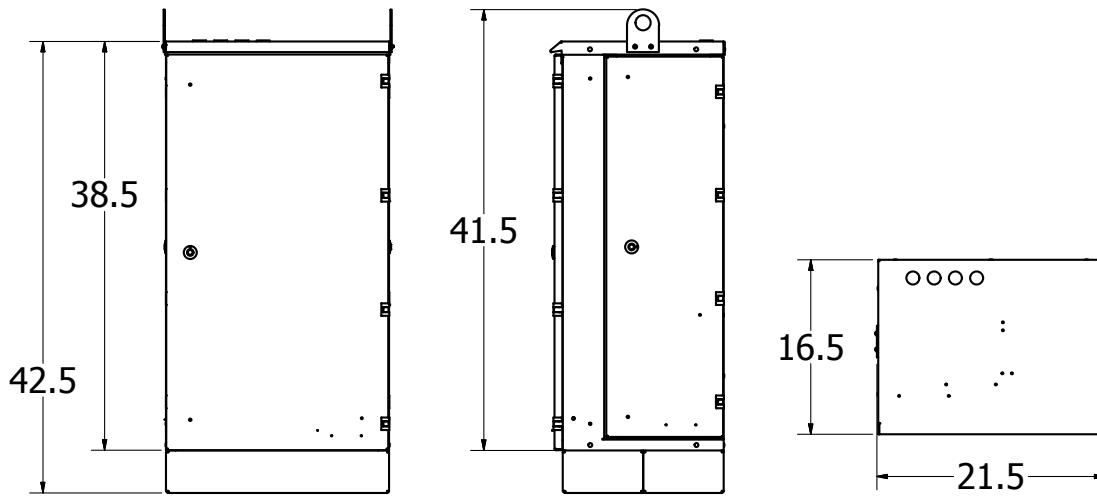
Phone: 631.789.5000

Fax: 631.789.5063

Toll Free: 888.844.4720

sales@tiitech.com

# FDH7 Series



Dimensions are in Inches

## SPECIFICATIONS

Patch & Splice Cassettes or Plates	5 Feeder, 36 Distribution
FSTA Splice Trays	4
PLC Splitter Capacity	14
Cable Entry Modules	8
Dimensions (H x W x D)	38.5" x 21.5" x 16.5"
Packaging (H x W x D)	48" x 25" x 30"
Shipping Weight (Typical)	100 lbs.

## ORDERING INFORMATION

FDH7	X	A	X	R	SA	X	X	X	X	X	X	X	X	XX
	Mounting	Color	Distrib. Ports		Interface	Feeder Fibers	Feeder Cable	Distrib. Cable Count	Distrib. Cable	Splice Trays	Splitter Style	Split Ratio	Splitter Qty.	Stub Length (M)
	P = Pole/Wall A = Pad 4" Skirt B = Pad 6" Skirt C = Pad 8" Skirt	A = Almond	T = 432		SA = SC/APC	B = 12 F = 24 H = 36 J = 48 L = 72	N = None L = OSP LT Dielectric T = OSP LT Armored C = Flat Drop I = I/O LT Riser R = Ribbon OSP	0 - 6	N = None L = OSP LT T = OSP LT Armored I = I/O LT Riser R = Ribbon OSP	0 - 4	L = LPS (Default)	0 = None 3 = 1x32	0 - 14	00-9 9

\* Feeder or Distribution without a factory stub will include 250um Ribbon pigtails for single or mass fusion inside each cassette. Ribbon splicing may also be done in splice trays if so equipped (single fusion of distribution is not possible).

INFORMATION CONTAINED IN THIS PUBLICATION IS PROVIDED ONLY FOR YOUR CONVENIENCE AND IS SUBJECT TO CHANGE WITHOUT NOTICE. TII TECHNOLOGIES MAKES NO REPRESENTATIONS OR WARRANTIES OF ANY KIND WHETHER EXPRESS OR IMPLIED, WRITTEN OR ORAL, STATUTORY OR OTHERWISE, RELATED TO THE INFORMATION, INCLUDING BUT NOT LIMITED TO ITS CONDITION, QUALITY, PERFORMANCE, MERCHANTABILITY OR FITNESS FOR PURPOSE; AND TII TECHNOLOGIES DISCLAIMS ALL LIABILITY ARISING FROM THE USE OF THIS INFORMATION.

# FDH7 Series

## BASE ENCLOSURE

Model No.	Description
<b>FDH7PA-432</b>	FDH Pole/Wall Mountable 4" Skirt, 432, 41 Cassette Capacity
<b>FDH7AA-432</b>	FDH Pad Mountable 4" Skirt, 432, 41 Cassette Capacity
<b>FDH7BA-432</b>	FDH Pad Mountable 6" Skirt, 432, 41 Cassette Capacity
<b>FDH7CA-432</b>	FDH Pad Mountable 8" Skirt, 432, 41 Cassette Capacity

## CASSETTES AND ADAPTER PLATES

Model No.	Description
<b>HPD-12RSAR</b>	Patch & Splice Cassette 12 Fiber SC-APC Ribbon
<b>HPD-12RSA9</b>	Patch & Splice Cassette 12 Fiber SC-APC 900um

## PON SPLITTERS

Model No.	Style	Split Ratio	Description
<b>LPS01320SA51</b>	Mini PLC	1:32	LPS Mini Splitter Module 1:32 SC-APC 51 In.



## ACCESSORIES

Model No.	Description
<b>FST-AUNIV</b>	Splice Tray 24 Single / 6 Mass Fusion

THE LPS PRODUCT IS MADE SUBJECT TO A LICENSE FROM CORNING OPTICAL COMMUNICATIONS, LLC

INFORMATION CONTAINED IN THIS PUBLICATION IS PROVIDED ONLY FOR YOUR CONVENIENCE AND IS SUBJECT TO CHANGE WITHOUT NOTICE. TII TECHNOLOGIES MAKES NO REPRESENTATIONS OR WARRANTIES OF ANY KIND WHETHER EXPRESS OR IMPLIED, WRITTEN OR ORAL, STATUTORY OR OTHERWISE, RELATED TO THE INFORMATION, INCLUDING BUT NOT LIMITED TO ITS CONDITION, QUALITY, PERFORMANCE, MERCHANTABILITY OR FITNESS FOR PURPOSE; AND TII TECHNOLOGIES DISCLAIMS ALL LIABILITY ARISING FROM THE USE OF THIS INFORMATION.