

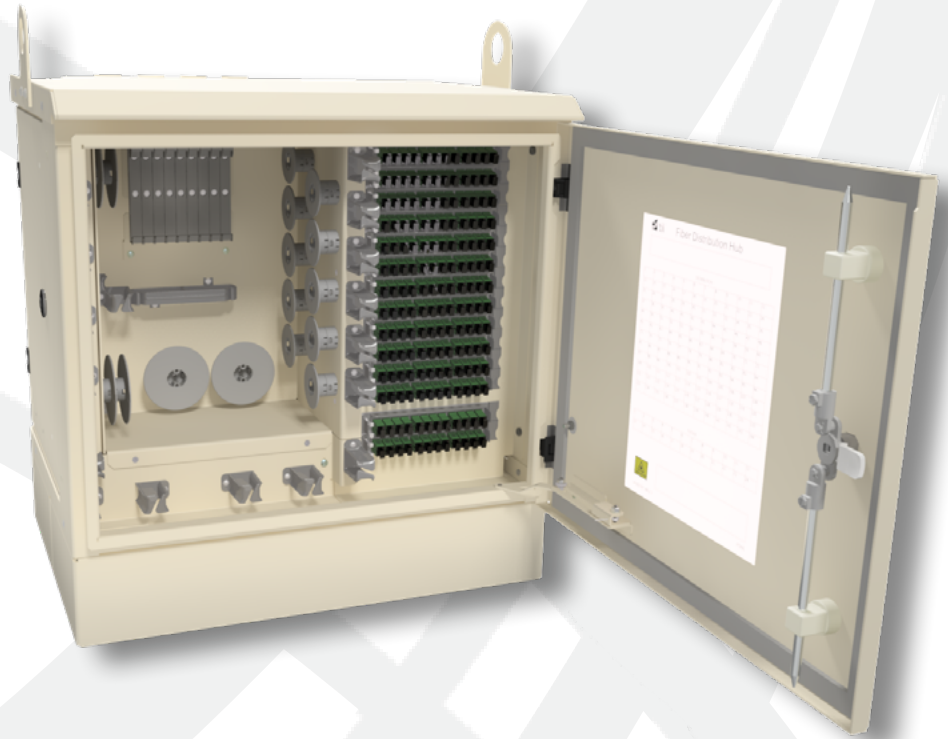
FDH5 Series

Modular FDH Pole/Pad Mount Enclosure

PON

FTTx

MDU



Fiber Distribution Hubs (FDH) are a weatherproof family of metal enclosures for outdoor use which can be pole, wall or pad mounted. The FDH is configured as a high density modular cassette PON solution for up to 144 customer service drops. Flexible design and options support a wide range of deployment styles including fusion splicing, field termination and factory installed cable stubs.

KEY PRODUCT BENEFITS

- ▶ 144 fiber distribution and PON splitting
- ▶ Modular patch & splice cassettes for added flexibility
- ▶ Available with feeder and distribution factory stubs
- ▶ Additional splicing capacity for express cables
- ▶ Side door distribution access
- ▶ Removable door with padlock hasp
- ▶ Pole, wall and pad mount options
- ▶ Pad skirt options for extra slack storage

INDUSTRY STANDARDS

- ▶ GR-3125, GR-1209, GR-1221, GR-326, GR-20



Tii Technologies Inc.

Corporate Headquarters:

141 Rodeo Drive
Edgewood, NY 11717

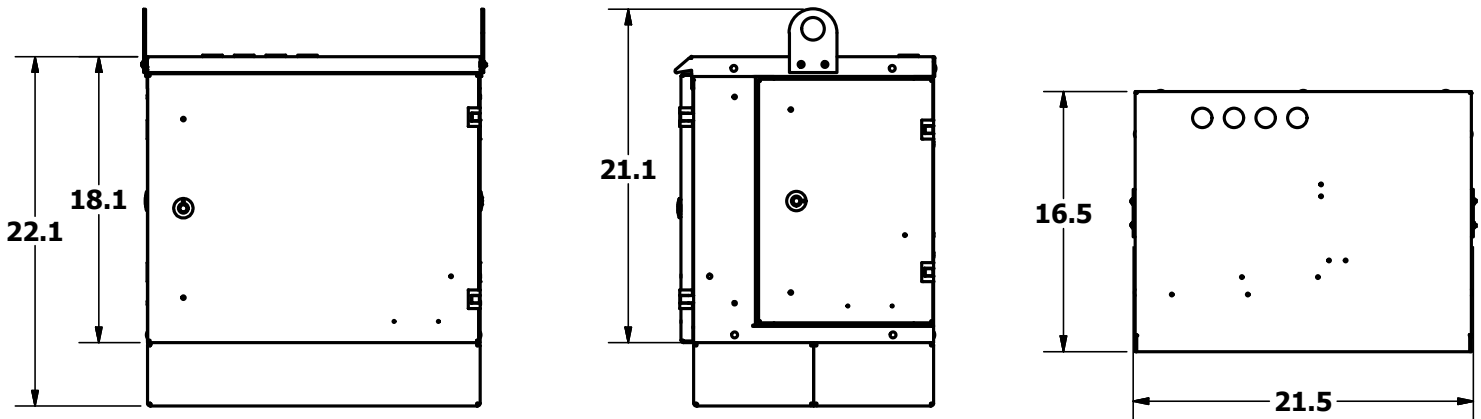
Phone: 631.789.5000

Fax: 631.789.5063

Toll Free: 888.844.4720

sales@tiitech.com

FDH5 Series



Dimensions are in Inches

SPECIFICATIONS

Patch & Splice Cassettes or Plates	2 Feeder, 12 Distribution
FSTA Splice Trays	2
PLC Splitter Capacity	5
Cable Entry Modules	4 bottom, 4 top
Dimensions (H x W x D)	21.1" x 21.5" x 16.5"
Packaging (H x W x D)	30" x 25" x 30"
Shipping Weight (Typical)	50 lbs.

ORDERING INFORMATION

FDH5	X	A	X	R	SA	X	X	X	X	X	X	X	X	XX
	Mounting	Color	Distrib. Ports		Interface	Feeder Fibers	Feeder Cable	Distrib. Cable Count	Distrib. Cable	Splice Trays	Splitter Style	Split Ratio	Splitter Qty.	Stub Length (M)
	P = Pole/Wall A = Pad 4" Skirt B = Pad 6" Skirt C = Pad 8" Skirt	A = Almond	L = 72 N = 96 P = 144		SA = SC/APC	B = 12 F = 24	N = None L = OSP LT Dielectric T = OSP LT Armored C = Flat Drop R = Ribbon OSP S = Ribbon OSP Armored	0 - 1	N = None L = OSP LT T = OSP LT Armored R = Ribbon OSP S = Ribbon OSP Armored	0 - 2	L = LPS (Default)	0 = None 2 = 1x16 3 = 1x32	0 - 5	00 - 9.9

* Feeder or Distribution without a factory stub will include 250um Ribbon pigtails for single or mass fusion inside each cassette. Ribbon splicing may also be done in splice trays if so equipped (single fusion of distribution is not possible).

FDH5 Series

BASE ENCLOSURE

Model No.	Description
FDH5PA	FDH Pole/Wall Mountable 4" Skirt, 14 Cassette Capacity
FDH5AA	FDH Pad Mountable 4" Skirt, 14 Cassette Capacity
FDH5CA	FDH Pad Mountable 8" Skirt, 14 Cassette Capacity

CASSETTES AND ADAPTER PLATES

Model No.	Description
HPD-12RSAR	Patch & Splice Cassette 12 Fiber SC-APC Ribbon
HPD-12RSA9	Patch & Splice Cassette 12 Fiber SC-APC 900um

PON SPLITTERS

Model No.	Style	Split Ratio	Description
LPS01320SA51	Mini PLC	1:32	LPS Mini Splitter Module 1:32 SC-APC 51 In.
LPS01160SA51	Mini PLC	1:16	LPS Mini Splitter Module 1:16 SC-APC 51 In.



ACCESSORIES

Model No.	Description
FDH5-PAD-TMP	FDH5 Pad Mount Template
FST-AUNIV	Splice Tray 24 Single / 6 Mass Fusion

THE LPS PRODUCT IS MADE SUBJECT TO A LICENSE FROM CORNING OPTICAL COMMUNICATIONS, LLC

INFORMATION CONTAINED IN THIS PUBLICATION IS PROVIDED ONLY FOR YOUR CONVENIENCE AND IS SUBJECT TO CHANGE WITHOUT NOTICE. TII TECHNOLOGIES MAKES NO REPRESENTATIONS OR WARRANTIES OF ANY KIND WHETHER EXPRESS OR IMPLIED, WRITTEN OR ORAL, STATUTORY OR OTHERWISE, RELATED TO THE INFORMATION, INCLUDING BUT NOT LIMITED TO ITS CONDITION, QUALITY, PERFORMANCE, MERCHANTABILITY OR FITNESS FOR PURPOSE; AND TII TECHNOLOGIES DISCLAIMS ALL LIABILITY ARISING FROM THE USE OF THIS INFORMATION.