

FIT

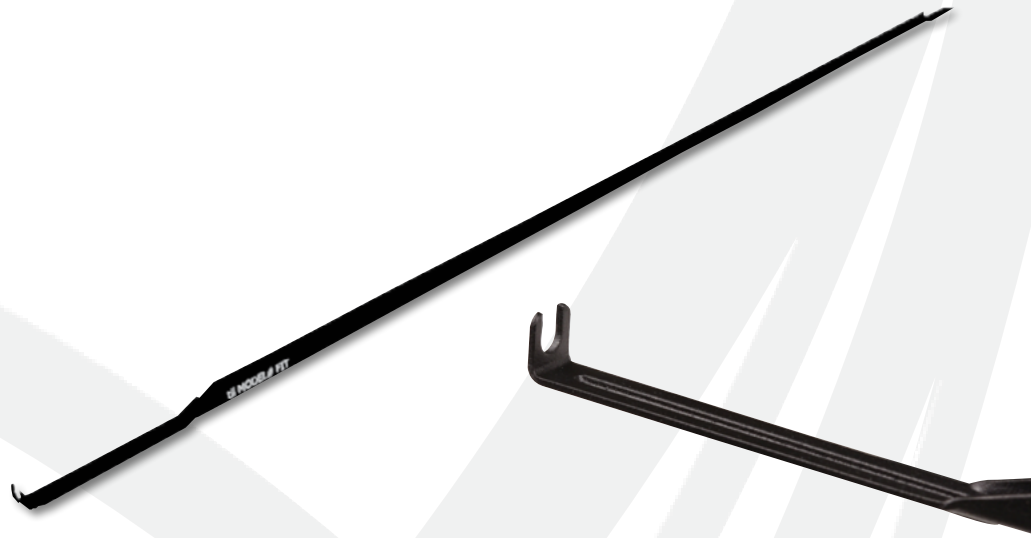
Fiber Installation Tool

FTTP

MDU

PON

Utility/Municipality



Fiber Installation Tool (FIT) is a handy tool used to thread fiber cables and connectors through walls during installation. This unique tool is ideal for residential and commercial fiber installations. The FIT is used to deploy FTTP, SFU and MDU cabling systems.

FEATURES

- ▶ Preterminated fiber drops
- ▶ Push drop through wall
- ▶ Economical
- ▶ Simple to use
- ▶ No pull strings or pull grips needed

ORDERING INFORMATION

Model #	Description
FIT	Fiber Installation Tool



Tii Technologies Inc.

Corporate Headquarters:

141 Rodeo Drive

Edgewood, NY 11717

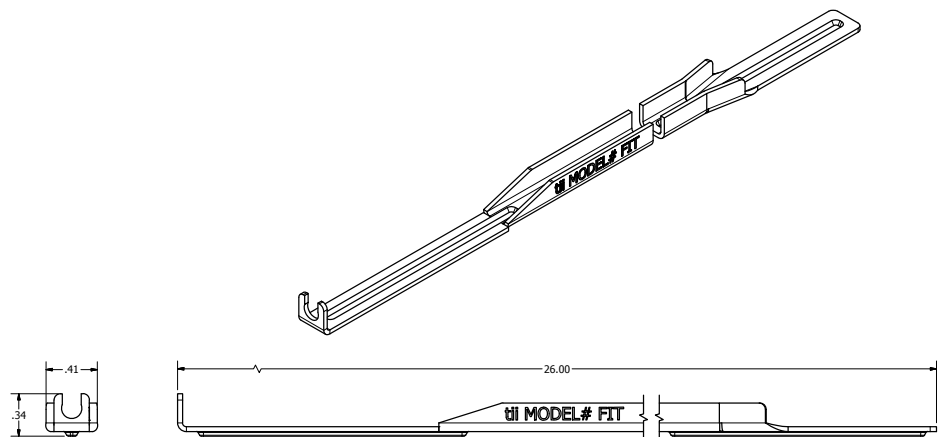
Phone: 631.789.5000

Fax: 631.789.5063

Toll Free: 888.844.4720

sales@tiitech.com

www.tiitech.com



Dimensions are in Inches

INFORMATION CONTAINED IN THIS PUBLICATION IS PROVIDED ONLY FOR YOUR CONVENIENCE AND IS SUBJECT TO CHANGE WITHOUT NOTICE. TII TECHNOLOGIES MAKES NO REPRESENTATIONS OR WARRANTIES OF ANY KIND WHETHER EXPRESS OR IMPLIED, WRITTEN OR ORAL, STATUTORY OR OTHERWISE, RELATED TO THE INFORMATION, INCLUDING BUT NOT LIMITED TO ITS CONDITION, QUALITY, PERFORMANCE, MERCHANTABILITY OR FITNESS FOR PURPOSE; AND TII TECHNOLOGIES DISCLAIMS ALL LIABILITY ARISING FROM THE USE OF THIS INFORMATION.