

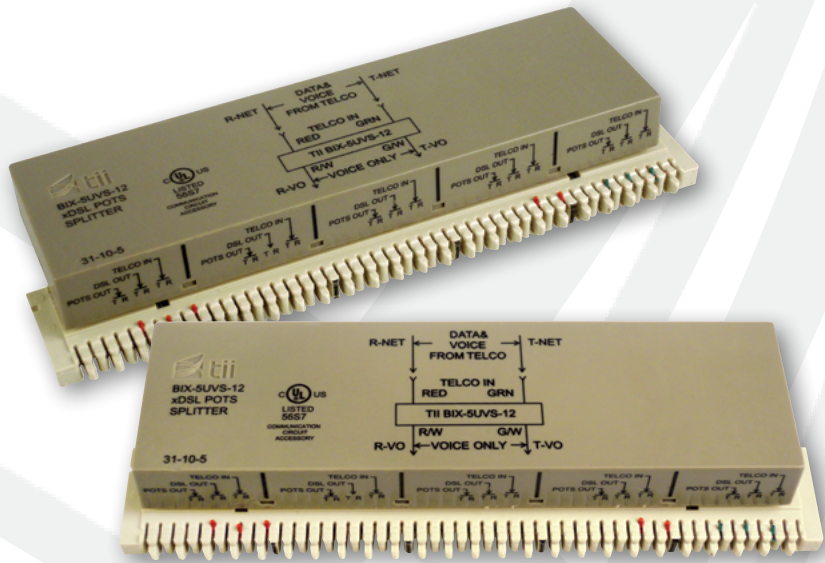
BIX-5UVS-12

5 Pair DSL POTS Splitter with 25 Pair BIX Distribution Connector

CPE/Premise Wiring

MDU

Utility/Municipality



The BIX-5UVS-12 is a 5 pair xDSL POTS splitter for multi-pair DSL service deployments utilizing BIX mounting rack system. The module incorporates five independent UVS-12 DSL splitter circuits. Each splitter circuit is designed to be installed in series on the telephone line at the customer's premise, providing a filtered POTS line connection for customer use. The BIX-5UVS-12 DSL POTS Splitter is designed to be used for all DSL services operating up to 30 MHz frequencies.

KEY PRODUCT BENEFITS

- ▶ Mounts in existing BIX frame at customer premise
- ▶ Utilizes circuit approved by CALIX, IOL for VDSL2+/ADSL2+, IPTV Deployment
- ▶ The BIX-5UVS-12 Module is environmentally encapsulated in a plastic shell and mounted on a 25 pair BIX strip for a technician friendly common termination
- ▶ Meets IPTV ring trip saturation current requirements for VDSL2 and ADSL2+ systems delivering IPTV signals
- ▶ Provides a filtered connection for customer POTS lines

INDUSTRY STANDARDS

- ▶ Listed to cUL 1863
- ▶ Compliant with ANSI T1.424
- ▶ Meets GR-1089-CORE requirements

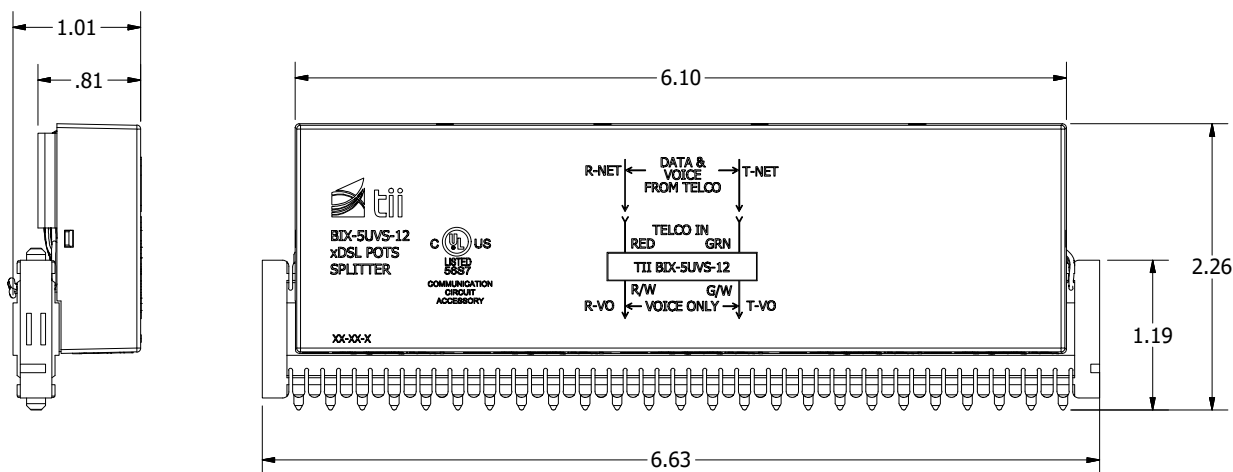


Tii Technologies Inc.

Corporate Headquarters:

141 Rodeo Drive
Edgewood, NY 11717
Phone: 631.789.5000
Fax: 631.789.5063
Toll Free: 888.844.4720
sales@tiitech.com

BIX-5UVS-12



Dimensions are in Inches

SPECIFICATIONS

Electrical (Complies with ANSI T1.413 and T1.424 Issue 2 Annex E)

DC Loop Current	0 to 100 mA
DC Loop Voltage (tip-to-ring)	0 to -60Vdc
Ringing Signals	103 Vrms superimposed on the DC Loop Voltage; 20 - 30 Hz
DC Resistance	< 20 ohms, POTS tip-to-ring with Line port (U-R) shorted
Insertion Loss (Short & Long Loop)	≤ 0.5 dB
Tip-to-Ring Capacitance, POTS port	20 ≤ C ≤ 100 nF; 20 - 30 Hz
Input Impedance (Measured Level)	≤ 0.25 dB; 25 kHz - 30 MHz, ZTr = 600
Attenuation Distortion (Voice Band), Increase relative to Insertion Loss at 1004 Hz	+0.7 to -0.5dB; 200 - 3.4 kHz, short loop, ZTc = 900, ZTr = 600 +0.7 to -0.5dB; 3.4 - 4.0 kHz, short loop, ZTc = 900, ZTr = 600 +0.4 to -0.5dB; 200 - 3.4 kHz, long loop, ZTc = 900, ZTr = 600 +0.5 to -0.5dB; 3.4 - 4.0 kHz, long loop, ZTc = 900, ZTr = 600
Delay Distortion (Voice Band)	< 25μs
Return Loss (Voice Band) (Short & Long Loop)	> 7 dB
Longitudinal Balance, Two Port Technique, DSL to Line Port	> 30 dB; 25kHz - 30 MHz
Capacitance to Ground, POTS Port	≤ 1.0 nf; 20 - 30 Hz
DSL Band Attenuation	> 65 dB; 25kHz - 25MHz >60dB; 25MHz - 30MHz
DC Current Influence (Ring Trip)	< 2% up to 300 mA
Inter-Modulation Distortion	-60dBc; 200 to 4000 Hz
Environmental	
Operating Temperature	-40 to +65 °C (-40 to 149 °F)
Relative Humidity	0 to 95%, non-condensing
UL Listed	As a communication circuit accessory

ORDERING INFORMATION

Model #	Description	Standard Pkg.
BIX-5UVS-12	5 Pair xDSL POTS Splitter with BIX connector	20 pieces