

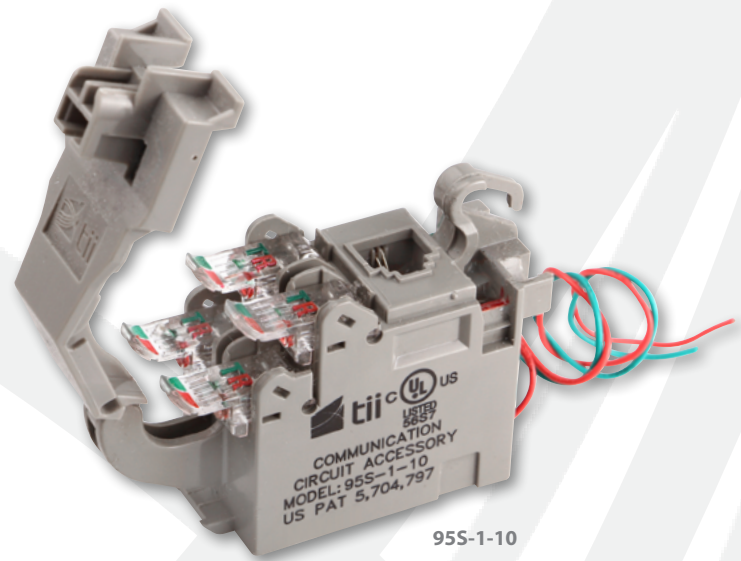
95S-1-10

Sealed Customer Bridge Module with xDSL Compliant Half-Ringer

CPE/Premise Wiring

MDU

Utility/Municipality



95S Series xDSL Compliant Half-Ringer Module eliminates the xDSL signal loss caused by traditional Customer Bridge Modules (CBM) incorporating half-ringer circuits. It also enables MLT half-ringer signature identification.

KEY PRODUCT BENEFITS

- ▶ Offers superior customer bridge module features and extends xDSL loops while maintaining half-ringer signature identification
- ▶ The Half-Ringer MLT circuit is filtered from the xDSL signal
- ▶ Ideally suited for xDSL networks which require xDSL/POTS filtering inside the customer premise (self-installation kits)
- ▶ Designed for use in a wide variety of Network Interface Devices (NIDs) at the customer Premises. Offered in Tii's 3600 and 3700 NID footprints.
- ▶ Module includes Tii's unique patented Auto-Jack® RJ-11 receptacle. It requires no plug for normal operation and delivers unparalleled reliability
- ▶ When engaged, the Auto-Jack® connects the RJ-11 test plug contacts to the Central Office (CO) for dial tone validation while disconnecting the customer from the circuit
- ▶ Auto-Jack® assembly includes a sealed test point access feature, which allows craft to test subscriber wiring even while a test plug is mated into the Auto-Jack® receptacle. This greatly facilitates the testing process
- ▶ Standard features such as customer locking/telco bypass, and hinged covers are all part of Tii's xDSL compliant half-ringer module



Tii Technologies Inc.

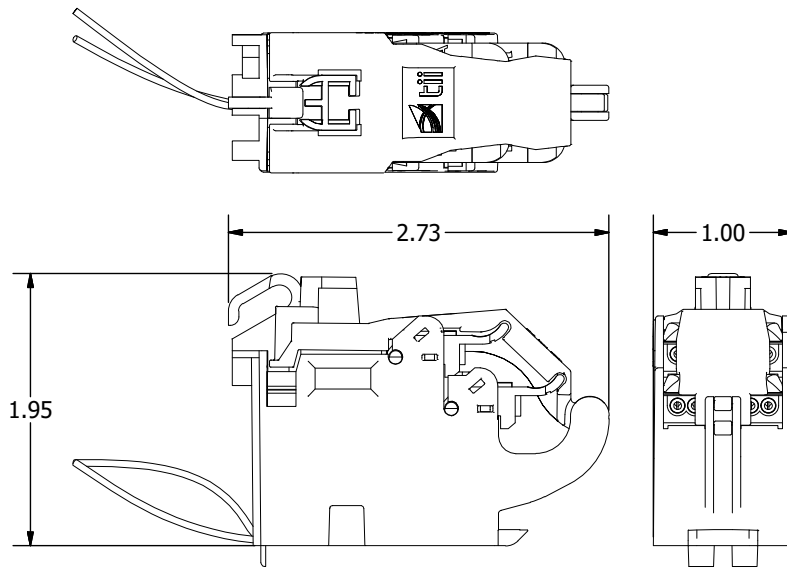
Corporate Headquarters:

141 Rodeo Drive
Edgewood, NY 11717
Phone: 631.789.5000
Fax: 631.789.5063
Toll Free: 888.844.4720
sales@tiitech.com

www.tiitech.com

INDUSTRY STANDARDS

- ▶ Auto-Jack® RJ-11 unit exceeds Telcordia GR-49 CORE requirements for severe climatic conditions, both first and second level lightning surge requirements in the open and short circuit mode.
- ▶ Listed to UL 1863



Dimensions are in Inches

SPECIFICATIONS

ELECTRICAL

Nominal 20Hz Impedance	25K ohm
Dial Pulse Distortion	< 1%
Surge Immunity 1000 Volt, 10/1000µsec	> 10 Repetitions
Operational Temperature Range	-40 °C to + 60 °C
Longitudinal Balance	> 80dB
Longitudinal AC Immunity	> 100Vrms
Insertion Loss (30 – 1100 kHz)	< 01.dB

ENVIRONMENTAL

Lightning Surge	GR-1089-CORE Level 1 and Level 2 surge
Power Cross	GR-1089-CORE First and Second Level AC Power Fault Immunity
Operating Temperature	-40 °C to +65 °C (-40 °F to 149 °F)
Relative Humidity	0 to 95%, non-condensing
UL Listed	As a communication circuit accessory

ORDERING INFORMATION

Model No.	Description
95S-1-10	Sealed Customer Bridge Module Equipped with xDSL Compliant Half-Ringer
95S-1-10-1	Sealed Customer Bridge Module Equipped with xDSL Compliant Half-Ringer and Spade Connectors