

95S-1-09

ADSL2+ POTS Splitter Module

CPE/Premise Wiring

MDU

Utility/Municipality

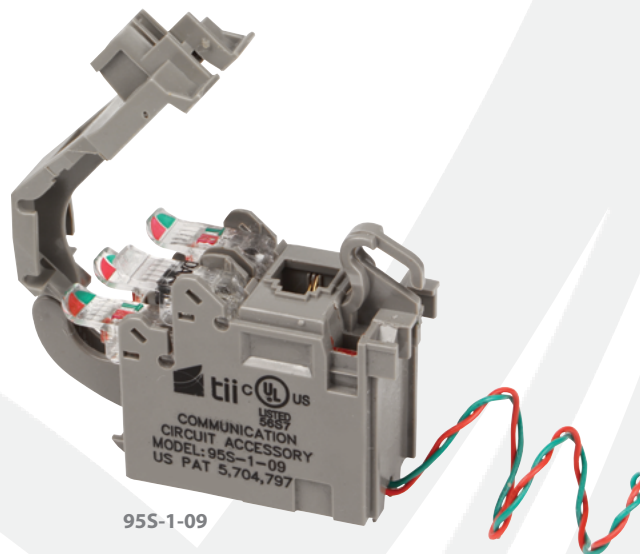


Tii Technologies Inc.

Corporate Headquarters:

141 Rodeo Drive
Edgewood, NY 11717
Phone: 631.789.5000
Fax: 631.789.5063
Toll Free: 888.844.4720
sales@tiitech.com

www.tiitech.com



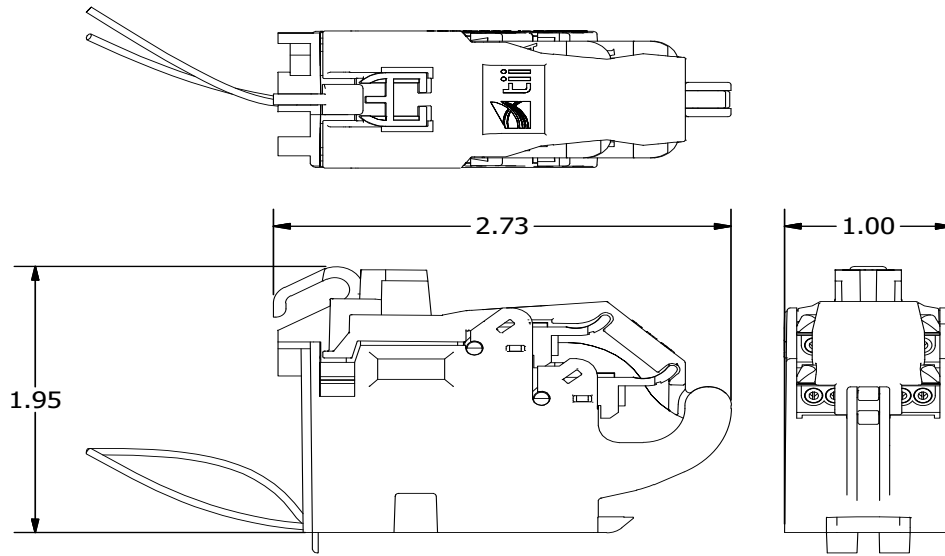
The 95S-1-09 ADSL2+ POTS Splitter Module splits the combined voice and data signal carried on telephone lines to provide separate outputs for both phone and data services.

KEY PRODUCT BENEFITS

- ▶ Module's unique design provides customer bridging and ADSL2+ POTS splitting all in one module.
- ▶ Module easily snaps in and out of the customer side of the NID and occupies only one position, thereby not compromising the NID's overall capacity.
- ▶ Designed for use in a wide variety of Network Interface Devices (NIDs) at the customer premise. Offered in 3600, 3700, 5100 and 9600 Series NID footprints.
- ▶ Asymmetrical Digital Subscriber Line (ADSL2+) provides high-bit-rate digital information over telephone subscriber lines.
- ▶ Splitter makes it possible to use a single phone line to provide both telephone and DSL internet access.
- ▶ With module installed, an additional standard POTS line module is not needed.
- ▶ Module includes Tii's unique patented switchable RJ-11 Jack (Auto-Jack®). It requires no plug for normal operation and delivers unparalleled reliability.
- ▶ When engaged, the Tii Auto-Jack® connects the RJ-11 test plug contacts to the Central Office (CO) for dial tone validation while disconnecting the customer from the circuit.
- ▶ Auto-Jack® assembly includes a sealed test point access feature, which allows craft to test subscriber wiring even while a test plug is mated into the Auto-Jack® receptacle. This greatly facilitates the testing process.
- ▶ Standard features such as customer locking/telco bypass, and hinged covers become available when installed in a tii listed Network Interface Device.

INDUSTRY STANDARDS

- ▶ ANSI T1.413 and G.992.5 Compliant
- ▶ Auto-Jack® RJ-11 unit exceeds Telcordia GR-49 CORE requirements for severe climatic conditions, both first and second level lightning surge requirements in the open and short circuit mode
- ▶ Compliant to GR49, GR1089, GR3167, TR-NWT-001195
- ▶ Listed To UL1863



Dimensions are in Inches

SPECIFICATIONS

ELECTRICAL (Complies with ANSI T1.413

Issue 2 Annex E)

DC Loop Current	0 to 100 ma
DC Loop Voltage (tip-to-ring)	0 to -60 vdc
Ringing Signals	103 Vrms Superimposed on the DC Loop Voltage; 20 to 30 Hz
DC Resistance	25 Ohms, POTS Tip-to-Ring with Line Port (U-R) Shorted
Insertion Loss	≤ 1.0 dB; short loop, Z _{Tc} = 900, Z _{Tr} = 600, 1004 Hz ≤ 0.75 dB; long loop, Z _{Tc} = 900, Z _{Tr} = 600, 1004 Hz
Tip-to-Ring Capacitance, POTS Port	20 ≤ C ≤ 115 nF; 20 – 30 Hz
Input Impedance	≤ 0.25 dB; 30 – 2.5 MHz, Z _{Tr} = 600

ENVIRONMENTAL

Lightning Surge	GR-1089-CORE Level 1 and Level 2 Surge
Power Cross	GR-1089-CORE First and Second Level AC Power Fault Immunity
Operating Temperature	- 40 to + 65 °C (- 40 to 149 ° F)
Relative Humidity	0 to 95%, Non-condensing
UL Listed	As a Communication Circuit Accessory

ORDERING INFORMATION

Model No.	Description
95S-1-09	ADSL2+ POTS Splitter with Wire Leads
95S-1-09-1S	ADSL2+ POTS Splitter with Wire Leads and #10 Terminal Lugs