

80-500

Indoor In-Line DSL Filter

CPE/Premise Wiring

MDU

Utility/Municipality



Tii Technologies Inc.

Corporate Headquarters:

141 Rodeo Drive
Edgewood, NY 11717
Phone: 631.789.5000
Fax: 631.789.5063
Toll Free: 888.844.4720
sales@tiitech.com

www.tiitech.com



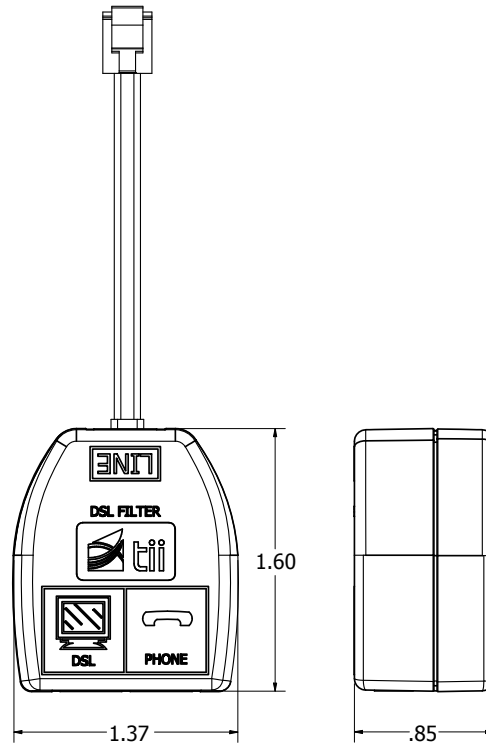
The 80-500 Indoor In-Line xDSL low pass filter is a passive in-line device designed to block Asymmetric Digital Subscriber Line (xDSL) signals from the subscriber's telephone line, allowing the POTS signal to pass through unaffected. The unit is designed with a second unfiltered RJ-11 jack on the output side for connection to DSL equipment.

KEY PRODUCT BENEFITS

- ▶ A second unfiltered RJ-11 port is provided for connection to xDSL modems and Home Phone Network (HPN) services
- ▶ The 80-500 is designed to effectively block xDSL, HPN and other radio frequency signals from DSL signal side to POTS line and vice versa
- ▶ The 80-500 filter is designed with an RJ-11 plug on the input end to easily snap into any existing RJ-11 phone jack located at the customer premise
- ▶ The device may be utilized throughout the customer premise to isolate all voice band equipment devices such as telephone sets, answering machines, facsimile (fax) machines, 56Kb/s and lower rate modems, automatic dialers and recorder connectors

INDUSTRY STANDARDS

- ▶ Listed to UL 1863
- ▶ Meets ATIS-0600421.2001



Dimensions are in Inches

SPECIFICATIONS

1 kHz insertion loss between 600 Ohm resistive

Single Filter	< 0.7
With 5 Filters	< 0.8

1 kHz/2.8 kHz slope between 600 Ohm resistive

Single Filter	< 0.1
With 5 Filters	< 0.8

DC Resistance in Ohms

Tip to Tip and Ring to Ring	< 25
Tip to Ring	> 10M

Longitudinal Balance per IEEE method

From 200 - 1 kHz	> 58 dB
From 1 kHz - 3 kHz	> 53 dB

Low pass roll off (slope) between 600 Ohm and xDSL Transmission Unit - Remote

> 24 dB

Envelope Delay 300 Hz - 2800 Hz

< 100 μ s

DC Loop Current - Meets specifications between 20 and 100 milliamps DC

ORDERING INFORMATION

Model No.	Description
80-500-PK10	Indoor In-Line xDSL Filter