

## 80-410V

### *Indoor DSL POTS Splitter Module for VDSL2/ADSL2+, IPTV Services*

CPE/Premise Wiring

MDU

Utility/Municipality



The 80-410V Indoor DSL POTS Splitter Module splits the combined voice and data signals carried on telephone lines providing separate outputs for both phone and data services. It is designed to be mounted inside the customer premises near where the phone service enters the building. RJ jacks or sealed rocker/IDC terminals connect directly to the equipment with data-grade cabling. The 80-410V utilizes enhanced circuit components to meet VDSL2/ADSL2+ splitter specifications for advanced data and IPTV deployments.

#### KEY PRODUCT BENEFITS

- ▶ Module's unique design provides customer bridging and DSL POTS splitting in one module
- ▶ The 80-410V splitter design makes it possible to use a single phone line to provide triple play services including VDSL2/ADSL2+ and IPTV
- ▶ The 80-410V has both RJ jacks and sealed IDC rocker terminals for flexible wiring schemes
- ▶ This compact POTS splitter can be mounted easily in the desired location

#### INDUSTRY STANDARDS

- ▶ ANSI T1.424 - Compliant to full VDSL2 30MHz bandwidth
- ▶ Listed to UL 1863 and CSA 22.2, No. 182.4-M90



**Tii Technologies Inc.**

**Corporate Headquarters:**

141 Rodeo Drive  
Edgewood, NY 11717

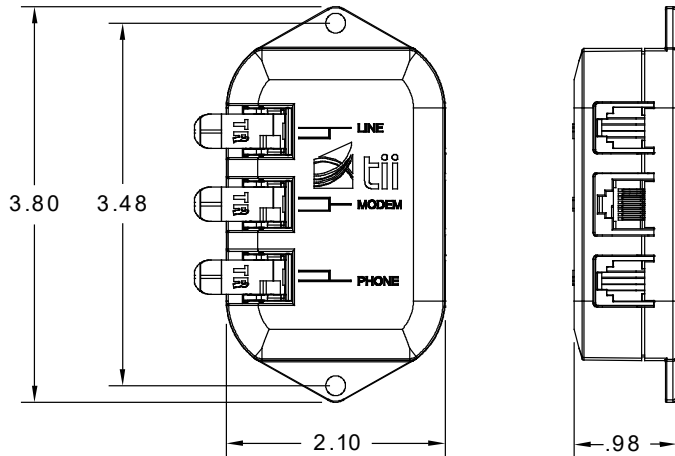
Phone: 631.789.5000

Fax: 631.789.5063

Toll Free: 888.844.4720

sales@tiitech.com

# 80-410V



Dimensions are in Inches

**NOTE:**

1. Rocker/IDC and RJ jacks are connected in parallel.
2. Rocker/IDC connections require no tools. Insulation striping is not necessary.

Dimensions are in Inches

## SPECIFICATIONS

### ELECTRICAL (Complies with ANSI T1.424 Issue 2 Annex E)

|  |  |
|--|--|
| DC Loop Current  | 0 to 100 mA  |
| DC Loop Voltage (tip-to-ring)  | 0 to -60Vdc  |
| Ringing Signals  | 103 Vrms superimposed on the DC Loop Voltage; 20 - 30Hz  |
| DC Resistance  | < 20 ohms, POTS tip-to-ring with Line port (U-R) shorted   |
| Insertion Loss (Short & Long Loop)   | ≤ 0.5 dB   |
| Tip-to-Ring Capacitance, POTS port   | 20 ≤ C ≤ 100 nF; 20 - 30 Hz  |
| Input Impedance (Measured Level)   | ≤ 0.25 Db; 30 kHz - 30 MHz, ZTr = 600  |
| Attenuation Distortion (Voice Band), Increase relative to Insertion Loss at 1004 Hz              | +0.7 to -0.5dB; 200 - 3.4 kHz, short loop, ZTc = 900, ZTr = 600<br>+0.7 to -0.5dB; 3.4 - 4.0 kHz, short loop, ZTc = 900, ZTr = 600<br>+0.4 to -0.5dB; 200 - 3.4 kHz, long loop, ZTc = 900, ZTr = 600<br>+0.5 to -0.5dB; 3.4 - 4.0 kHz, long loop, ZTc = 900, ZTr = 600 |
| Delay Distortion (Voice Band)  | < 25μs   |
| Return Loss (Voice Band) (Short & Long Loop)   | > 7 dB   |
| Longitudinal Balance, Two Port Technique, DSL to Line Port (U - R) and Line Port (U - R) to POTS | > 60 dB; 30 - 1100 kHz<br>> 55 dB; 1100 kHz - 30 MHz   |
| Capacitance to Ground, POTS Port   | ≤ 1.0 nf; 20 - 30 Hz   |
| DSL Band Attenuation   | > 65 dB; 30 kHz - 30 MHz   |
| DC Current Influence (Ring Trip)   | < 2% up to 300 mA  |
| Inter-modulation Distortion (MTPR) for 2nd Order for 3rd Order                                   | > 85 dBc<br>> 75 dBc   |

### ENVIRONMENTAL

|                       |   |
|-----------------------|---|
| Lightning Surge       | GR-1089 CORE Level 1 and Level 2 Surge                      |
| Power Cross           | GR-1089 CORE First and Second Level AC Power Fault Immunity |
| Operating Temperature | -40 to +65°C (-40 to 149°F)                                 |

## ORDERING INFORMATION

| Model No.         | Description   |
|-------------------|---|
| <b>80-410V-11</b> | DSL POTS Splitter Module for VDSL2/ADSL2+, IPTV Services with RJ11 Input from Modem |
| <b>80-410V-45</b> | DSL POTS Splitter Module for VDSL2/ADSL2+, IPTV Services with RJ45 Input from Modem |