

80-400

Indoor DSL Filter with Data Port

CPE/Premise wiring

MDU

Utility/Municipality



80-400

The 80-400 Indoor ADSL low pass filter is a passive in-line device designed to block Asymmetric Digital Subscriber Line (ADSL) signals from the subscriber's telephone line, allowing the POTS signal to pass through unaffected. The unit is designed with a second unfiltered RJ-11 jack on the output side for connection to xDSL equipment.

KEY PRODUCT BENEFITS

- ▶ A second unfiltered RJ-11 port is provided for connection to ADSL 2+ modems and Home Phone Network (HPN) services
- ▶ The 80-400 is designed to effectively block ADSL 2+, HPN and other radio frequency signals
- ▶ The 80-400 filter is designed with an RJ-11 plug on the input end to easily snap into any existing RJ-11 phone jack located at the customer premise
- ▶ The device may be utilized throughout the customer premise to isolate all voice band equipment devices such as telephone sets, answering machines, facsimile (fax) machines, 56Kb/s and lower rate modems, automatic dialers and recorder connectors

INDUSTRY STANDARDS

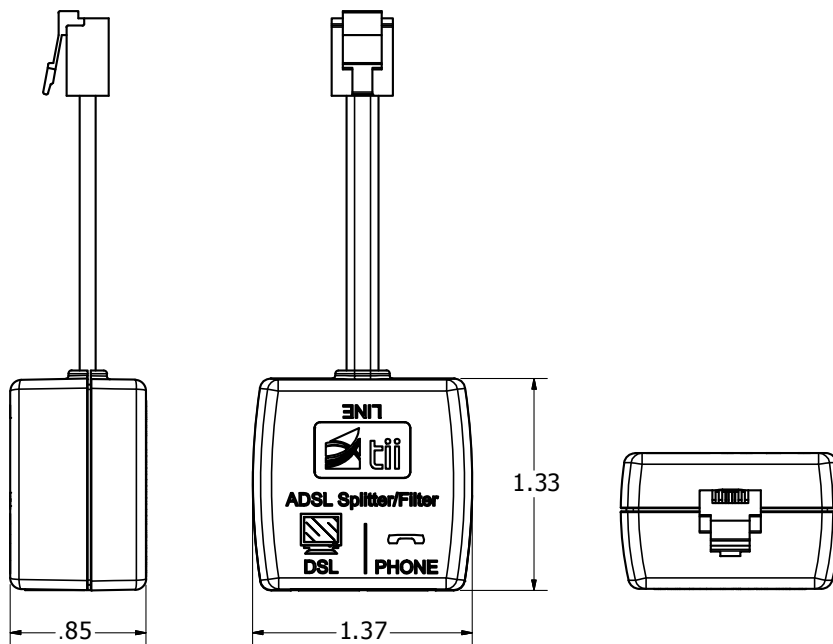
- ▶ Listed to UL 1863, ANSI: T1.413-1998



Tii Technologies Inc.

Corporate Headquarters:

141 Rodeo Drive
Edgewood, NY 11717
Phone: 631.789.5000
Fax: 631.789.5063
Toll Free: 888.844.4720
sales@tiitech.com



Dimensions are in Inches

SPECIFICATIONS

1 kHz Insertion Loss Between 600 Ohm Resistive	
Single Filter	< 0.7
With 5 Filters	< 0.8
1 kHz/2.8 kHz Slope Between 600 Ohm Resistive	
Single Filter	< 0.1
With 5 Filters	< 0.8
DC Resistance in Ohms	
Tip to Tip and Ring to Ring	< 25
Tip to Ring	> 10M
Longitudinal Balance per IEEE Method	
From 200 – 1 kHz	> 58 dB
From 1 kHz – 3 kHz	> 53 dB
Low Pass Roll Off (slope) Between 600 Ohm and ADSL 2+ Transmission Unit – Remote	>24dB
Envelope Delay 300 Hz – 2800 Hz	<100μs
DC Loop Current – Meets Specifications Between 20 and 100 milliamps DC	

ORDERING INFORMATION

Model No.	Description	Standard Pkg.
80-400	Indoor One-Line Compact DSL Splitter with Auxiliary Data Port	400 per carton