

80-100

Indoor DSL Filter with Data Port

CPE/Premise Wiring

MDU

Utility/Municipality



80-100

The 80-100 Indoor ADSL low pass filter is a passive in-line device designed to block Asymmetric Digital Subscriber Line (ADSL) signals from the subscriber's telephone line, allowing the POTS signal to pass through unaffected.

KEY PRODUCT BENEFITS

- ▶ Designed to effectively block ADSL, HPN and other radio frequency signals up to 400-megahertz (MHz) on both line 1 (Pins 2, 3) and line 2 (Pins 1, 4)
- ▶ The 80-100 filter is designed with an RJ-11 plug on the input end to easily snap into any existing RJ-11 phone jack located at the customer premise
- ▶ The device may be utilized throughout the customer premise to isolate all voice band equipment devices such as telephone sets, answering machines, facsimile (fax) machines, 56Kb/s and lower rate modems, automatic dialers and recorder connectors

INDUSTRY STANDARDS

- ▶ Listed to UL 1863

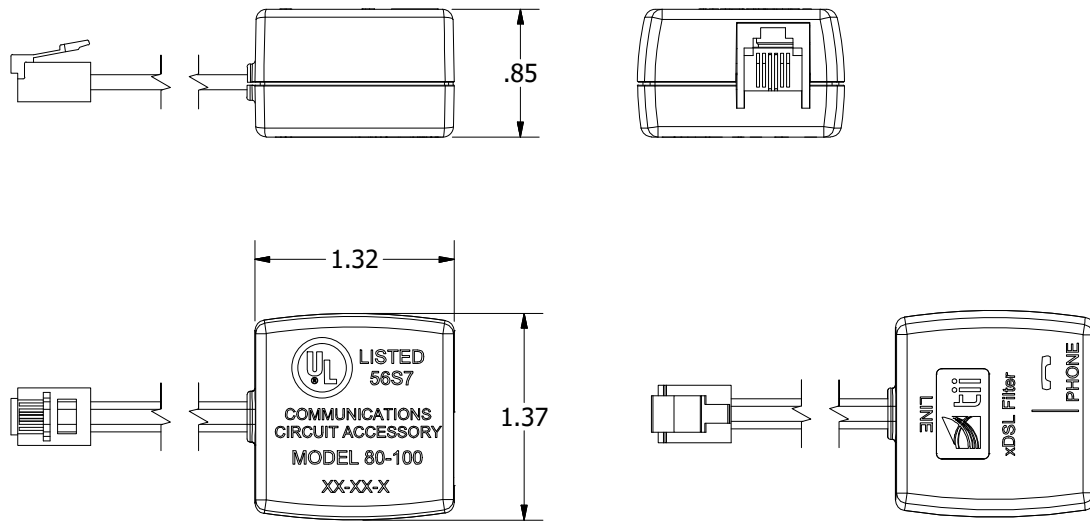


Tii Technologies Inc.

Corporate Headquarters:

141 Rodeo Drive
Edgewood, NY 11717
Phone: 631.789.5000
Fax: 631.789.5063
Toll Free: 888.844.4720
sales@tiitech.com

80-100



Dimensions are in Inches

SPECIFICATIONS

Line side differential input blocking impedance	
At 20 kHz	> 2k
At 30 kHz	> 3k
From 5 MHz to 10 MHz	> 4k
From 10 MHz to 400 MHz	> 2k
1 kHz insertion loss between 600 Ohm resistive	
Single Filter	< 0.7
With 5 Filters	< 0.8
1 kHz/2.8 kHz slope between 600 Ohm resistive	
Single Filter	< 0.1
With 5 Filters	< 0.8
DC Resistance in Ohms	
Tip to Tip, and Ring to Ring	< 50
Tip to Ring	> 10 M
Longitudinal Balance per IEEE method	
From 200 – 1 kHz	> 58 dB
From 1 kHz – 3 kHz	> 53 dB
Common Mode Rejection	
40 kHz	> 45 dB
1.1 MHz	> 45 dB
Envelope Delay 300 Hz – 2800 Hz	< 100µs
Low pass roll off (slope) between 600 Ohm and ADSL Transmission Unit – Remote	> 24 dB
DC Loop Current – Meets specifications between 20 and 100 milliamps DC	

ORDERING INFORMATION

Model No.	Description	Standard Pkg.
80-100	Indoor DSL Filter	80 per carton