

761SM-12

Surface Mount Wall Jack with DSL Filter

CPE/Premise Wiring

MDU

Utility/Municipality



761SM-12

The 761SM-12 Wall Mount DSL Filter splits the combined voice and data signals carried on telephone lines providing separate outputs for both phone and data services. The 761SM-12 utilizes proprietary gel filled IDC rockers for wire terminations. The IDC rockers are color coded for tip and ring wire orientations. Termination of wires is easy as the wires do not need stripping. All one needs is to lift the rocker, straighten ends of the wire, insert and pull the rockers in fully down position.

KEY PRODUCT BENEFITS

- ▶ Unique design provides customer bridging and DSL POTS splitting in one module
- ▶ The filter design makes it possible to use a single phone line to provide triple play services including VDSL2/ADSL2+ and IPTV
- ▶ Auto-Jack provides conveniently located customer demarcation point test port
- ▶ Surface mount design can mount onto a wall or over a single-gang box
- ▶ Tool-less IDC rocker for telephone wire connections on the back side of jack plate
- ▶ IDC rockers are gel-filled for long term reliable connections
- ▶ Wall phone mounting hardware included

INDUSTRY STANDARDS

- ▶ ANSI T1.424 Compliant to full VDSL2 30MHz bandwidth
- ▶ Listed to UL 1863
- ▶ Meets Telcordia TR-127 for ring trip saturation



Tii Technologies Inc.

Corporate Headquarters:

141 Rodeo Drive
Edgewood, NY 11717

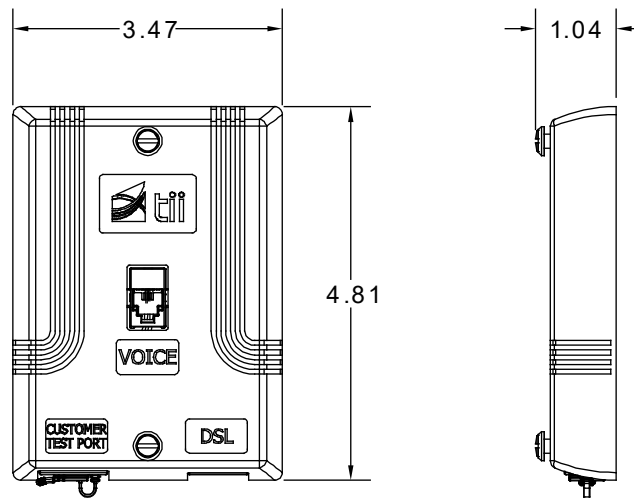
Phone: 631.789.5000

Fax: 631.789.5063

Toll Free: 888.844.4720

sales@tiitech.com

761SM-12



Dimensions are in Inches

SPECIFICATIONS

ELECTRICAL (COMPLIES WITH ANSI T1.424 ISSUE 2 ANNEX E)

DC Loop Current	0 to 100 mA
DC Loop Voltage (tip-to-ring)	0 to -60Vdc
Ringing Signals	103 Vrms superimposed on the DC Loop Voltage; 20 - 30 Hz
DC Resistance	< 20 ohms, POTS tip-to-ring with Line port (U-R) shorted
Insertion Loss (Short & Long Loop)	≤ 0.5 dB
Tip-to-Ring Capacitance, POTS port	20 ≤ C ≤ 100 nF; 20 - 30 Hz
Input Impedance (Measured Level)	≤ 0.25 Db; 30 kHz - 30 MHz, ZTr = 600
Attenuation Distortion (Voice Band), Increase relative to Insertion Loss at 1004 Hz	+0.7 to -0.5dB; 200 - 3.4 kHz, short loop, ZTc = 900, ZTr = 600 +0.7 to -0.5dB; 3.4 - 4.0 kHz, short loop, ZTc = 900, ZTr = 600 +0.4 to -0.5dB; 200 - 3.4 kHz, long loop, ZTc = 900, ZTr = 600 +0.5 to -0.5dB; 3.4 - 4.0 kHz, long loop, ZTc = 900, ZTr = 600
Delay Distortion (Voice Band)	< 25μs
Return Loss (Voice Band) (Short & Long Loop)	> 7 dB
Longitudinal Balance, Two Port Technique, DSL to Line Port (U - R) and Line Port (U - R) to POTS	> 60 dB; 30 - 1100 kHz > 55 dB; 1100 kHz - 30 MHz
Capacitance to Ground, POTS Port	≤ 1.0 nf; 20 - 30 Hz
DSL Band Attenuation	> 65 dB; 30 kHz - 30 MHz
DC Current Influence (Ring Trip)	< 2% up to 300 mA
Inter-modulation Distortion (MTPR)	30 kHz - 30 MHz

ENVIRONMENTAL

Lightning Surge	GR-1089 CORE Level 1 and Level 2 Surge
Power Cross	GR-1089 CORE First and Second Level AC Power Fault Immunity
Operating Temperature	-40 to +65°C (-40 to 149°F)
Relative Humidity	0 to 95%, non-condensing
UL Listed 1863	As a communication circuit accessory

ORDERING INFORMATION

Model No.	Description
761SM-12	Surface Mount xDSL Filter