

## 3310D Series

### DSL POTS Splitter Outdoor Ancillary Devices

CPE/Premise Wiring

MDU

Utility/Municipality



The 3310D DSL POTS Splitter Outdoor Ancillary Device splits the combined voice and data signal carried on telephone lines to provide separate outputs for both phone and data services. Asymmetrical Digital Subscriber Line (ADSL) provides high-bit-rate digital information over telephone subscriber lines. "POTS" stands for Plain Old Telephone Line.

The 3310D-12 splitter ancillary device is for IPTV services and utilizes enhanced circuit components to meet VDSL/ADSL2+ requirements.

#### KEY PRODUCT BENEFITS

- ▶ Designed for use at the customer premises
- ▶ Molded of durable, weather-resistant thermoplastic that is made to resist cracking, crazing and discoloration
- ▶ Screw terminals provide simple means to terminate network, voice and data wires
- ▶ Base includes flexible wire grommet to seal wiring exit area, allowing room for drop and station wiring
- ▶ Convenient side latch closes unit securely to provide maximum protection against environmental conditions and the intrusion of any foreign matter
- ▶ The 3310D's splitter makes it possible to use a single phone line to provide both telephone and DSL internet access
- ▶ The 3310D-12's enhanced splitter design facilitates use with VDSL/ADSL2+ and IPTV services

#### INDUSTRY STANDARDS

- ▶ ANSI T1.424 compliant
- ▶ Listed to UL 1863 as a communication circuit accessory

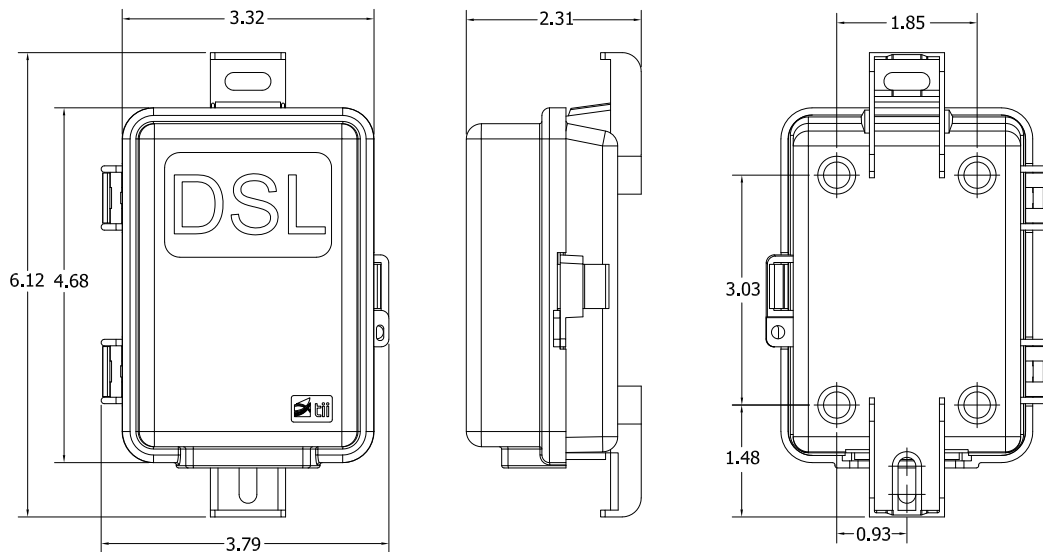


**Tii Technologies Inc.**

**Corporate Headquarters:**

141 Rodeo Drive  
Edgewood, NY 11717  
Phone: 631.789.5000  
Fax: 631.789.5063  
Toll Free: 888.844.4720  
sales@tiitech.com

# 3310D Series



Dimensions are in Inches

## SPECIFICATIONS

### Electrical (Complies with ANSI t1.424 Issue 2 Annex E)

DC Loop Current	0 to 100 mA
DC Loop Voltage (tip-to-ring)	0 to 60 V dc
Ringing Signals	103 Vrms superimposed on the DC Loop Voltage, 20 - 30 Hz
DC Resistance	< 25 ohms, POTS tip-to-ring with Line port (U-R) shorted
Insertion Loss (1) Voice Band (2) DSL Band	(1) $\leq 1.0$ dB (2) $\leq 0.5$ dB
Tip-to-Ring Capacitance, POTS port	$20 \leq C \leq 100$ nF; 20 - 30 Hz
Input Impedance	$\leq 0.25$ dB; 30 - 1104 kHz, Ztr = 600
Longitudinal Balance, Two Port Technique, POTS to Line Port (U - R) and Line Port (U - R) to POTS	Exceeds Telcordia GR-49 CORE requirements
Capacitance to Ground, POTS Port	$\leq 1.0$ nF; 20 - 30 Hz
<b>3310D</b> DSL Band Attenuation	(30 kHz - 1104 kHz) >60 dB
DSL Band Attenuation	(30 kHz - 30 MHz) >60 dB
<b>3310D-12</b> Delay Distortion	< 25u sec.
Return Loss	> 7 dB

### Environmental

Lightning Surge	GR-1089 CORE Level 1 and Level 2 Surge
Power Cross	GR-1089 CORE First and Second Level AC Power Fault Immunity
Operating Temperature	-40 to +65 °C (-40 to 149 °F)
Relative Humidity	0 to 95%, non-condensing
UL Listed	As a communication circuit accessory

## ORDERING INFORMATION

Model No.	Description
<b>3310D</b>	ADSL POTS Splitter Outdoor Ancillary Device
<b>3310D-12</b>	VDSL POTS Splitter Outdoor Ancillary Device