

## 220

### Coaxial Isolator

CPE/Premise Wiring

Headend/CO

MDU

Wireless



The 220 Coaxial Isolator provides galvanic isolation both the shield and center conductors of a standard 75 ohms coaxial system while maintaining low insertion loss for RF signals. The Isolator eliminates ground loops, and provides a degree of protection for electronic equipment from electrical transients and inadvertently "Hot" coax shield or center conductors. This helps prevent unwanted noise and picture interference in cable television systems. The Isolator's frequency range is suitable for IPTV installations utilizing HPNA or MoCA signaling over coaxial cable.

#### KEY PRODUCT BENEFITS

- ▶ Isolates Coax shield -- preventing unwanted ground loop current on the shield of the cable, which can cause noise and degrade picture quality
- ▶ DC Block on center conductor protects electronic equipment from hazardous voltages and electrical transients
- ▶ Ground Isolation > 2000V
- ▶ Center Conductor DC Block > 1000V
- ▶ Designed to work with today's high bandwidth networks
- ▶ Product shows superior RF performance operating at a frequency range of 5 MHz-1 GHz. Maximum insertion loss is 0.5 dB at 1 GHz
- ▶ Robust design includes a metallic housing that provides excellent RFI shielding of >85 dB
- ▶ Unit comes standard with "F" type Male-Female connectors
- ▶ Isolation level between the service ground to customer ground is greater than 2000V

#### INDUSTRY STANDARDS

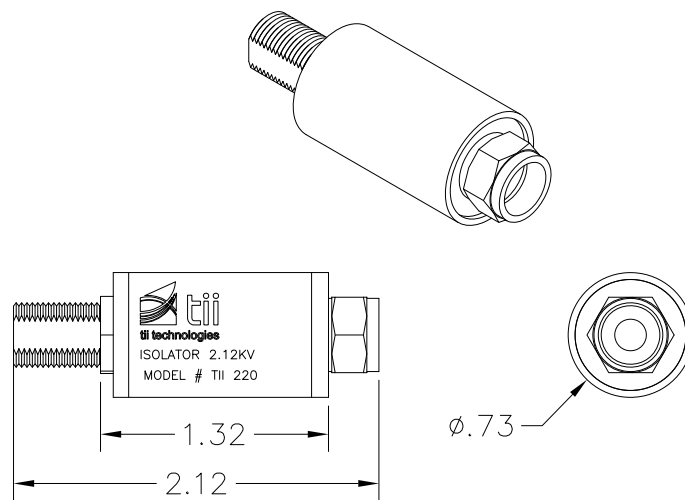
- ▶ Listed to UL 497C



**Tii Technologies Inc.**

**Corporate Headquarters:**

141 Rodeo Drive  
Edgewood, NY 11717  
Phone: 631.789.5000  
Fax: 631.789.5063  
Toll Free: 888.844.4720  
sales@tiitech.com



Dimensions are in Inches

## SPECIFICATIONS

### RF PERFORMANCE

Characteristic Impedance	75 Ohms
Frequency Range	5 MHz - 1GHz
Insertion Loss (5 MHz - 1 GHz)	< 0.5dB
Return Loss (5-10 MHz)	16 dB (typ.) / 15 dB (min.)
Return Loss (10-1000 MHz)	20 dB (typ.) / 18 dB (min.)

### GENERAL

Input - Output Shield Isolation	> 2,000 V
Input - Output Center Isolation	> 1,000 V
Operating Temperature	(-40° F to +149° F)

## ORDERING INFORMATION

Model No.	Description
220	Coaxial Isolator