

LVP Series

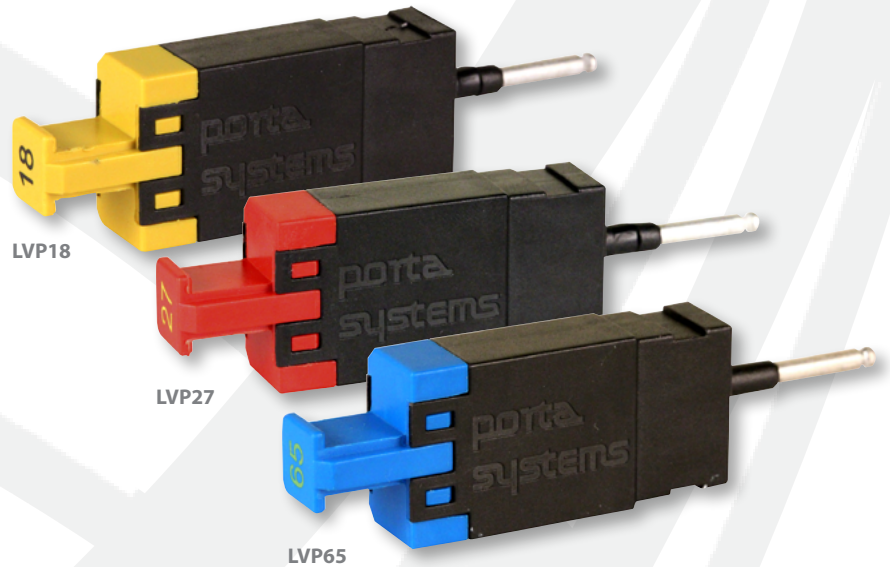
Low Voltage Protector Modules

CPE/Premise Wiring

Data Center

Utility/Municipality

Wireless



These ultra-low capacitance solid state protector modules provide premium protection for sensitive data communication equipment to frequencies up to 250MHz. Ideal for Power Over Ethernet (POE) circuit protection using the 65 Volt module.

KEY PRODUCT BENEFITS

- ▶ Available in 18V, 27V or 65V
- ▶ Designed for Cat 5E, Cat 6 applications
- ▶ Less than 5 nanoseconds response time
- ▶ Low capacitance solid state technology provides protection for frequencies up to 250 MHz
- ▶ Detent position facilitates testing

INDUSTRY STANDARDS

- ▶ UL 497/497A/497B Listed for Primary, Secondary and Isolated Loop Circuit protection



Tii Technologies Inc.

Corporate Headquarters:

141 Rodeo Drive
Edgewood, NY 11717

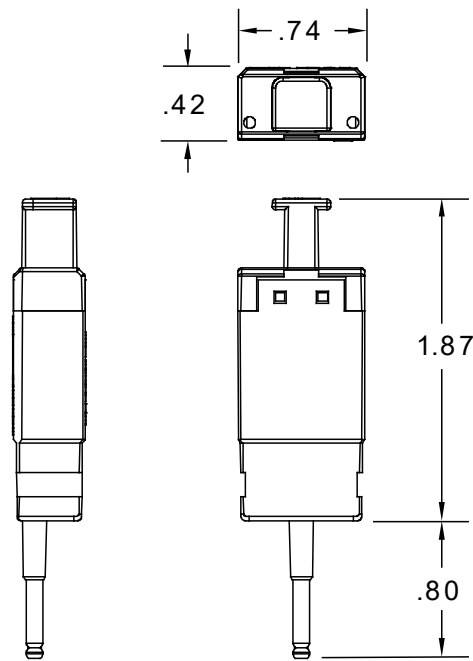
Phone: 631.789.5000

Fax: 631.789.5063

Toll Free: 888.844.4720

sales@tiitech.com

LVP Series



Dimensions are in inches

SPECIFICATIONS

Electrical	18 Volt	27 Volt	65 Volt	Test Parameters
DC Breakdown Voltage	18V	27V	65V	2000V/Sec. max.
Impulse Breakdown Voltage	18V	27V	65V	100V/μSec max
Clamping Time	<5n Sec	<5n Sec	<5n Sec	
Capacitance (Maximum)	<30 pF	<30 pF	<30 pF	1 KHz, 0 VDC
Surge Endurance (Number of Operations is Unlimited)	100A/side	100A/side	100A/side	10/1000μ Sec max
Line Series Resistance	<1 ohm	<1 ohm	<1 ohm	Line in/Line Out
Insulation Resistance (Minimum)	100MΩ	100MΩ	100MΩ	50 VDC 100VDC
Overcurrent Protection	Indefinite 1 hour max 60 sec. max	Indefinite 1 hour max 60 sec. max	Indefinite 1 hour max 60 sec. max	500 mA 1 A 1.5 A

ORDERING INFORMATION

Configuration	Over Current Protection	18 Volt	27 Volt	65 Volt
Single-Pin	Sneak Fuse	LVP18	LVP27	LVP65