

62 Series

Category 5e (CAT5e) Termination Block

CPE/Premise Wiring

Headend/CO

MDU

Utility/Municipality

Wireless



The 62 Series Category 5e Termination Block is designed to accept cable pairs without having to pre-terminate an RJ-11. Converts cable pairs to an RJ-11 male plug end without the need for special tooling. Ideal for Fiber to the home (FTTH) ONT applications.

KEY PRODUCT BENEFITS

- ▶ Eliminates the need for Field RJ-11 connector terminations
- ▶ Terminations are made to gel-sealed insulation displacement contacts (IDC) by means of convenient tool-less rocker assemblies. Wire stripping is not required
- ▶ Equipped with 2 rows of IDC connectors, broken out as 4-pair Line 1 and 4-pair Line 2. Each 4-pair of IDC connectors is terminated to 1 RJ-11 plug
- ▶ Compact, low profile design fits into applications where space is limited
- ▶ Rocker assemblies and wire leads are color coded and marked for easy recognition and installation
- ▶ Equipped with side wire looms for easy wire management
- ▶ Accepts 26 through 22 gauge solid conductor wire sizes

INDUSTRY STANDARDS

- ▶ Category-5e Compliant
- ▶ RoHS Compliant
- ▶ Listed to UL 1863

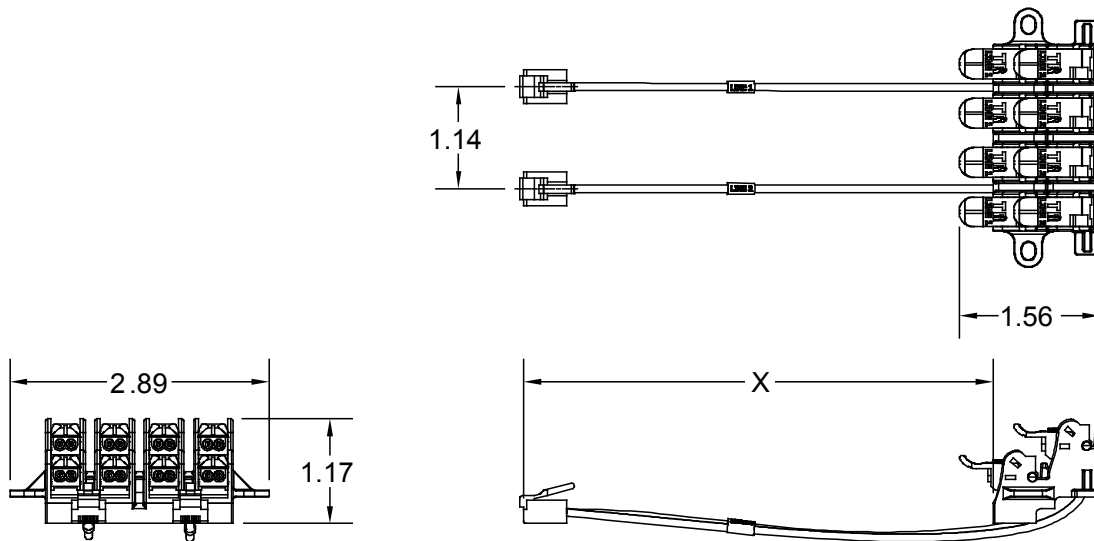


Tii Technologies Inc.

Corporate Headquarters:

141 Rodeo Drive
Edgewood, NY 11717
Phone: 631.789.5000
Fax: 631.789.5063
Toll Free: 888.844.4720
sales@tiitech.com

62 Series



Dimensions are in Inches

ORDERING INFORMATION

Model No.	Description	X = Cable Length
62-2-11	2 Pair, 8 Rocker Stadium Seating IDC Bridge with Two 5.25" RJ-11 Cables	5.25 +/- 0.25 inches
62-2-11RJ	2 Pair, 8 Rocker Stadium Seating IDC Bridge with Two 5.25" RJ-11 Cables (Available in bulk package only - 320 units)	5.25 +/- 0.25 inches
62-2-11ENC	2 Pair, 8 Rocker Stadium Seating IDC Bridge with Two 14" RJ-11 Cables	14.00 +/- 0.25 inches