

## OF Series

### Outdoor Fixed BET and BET/NID

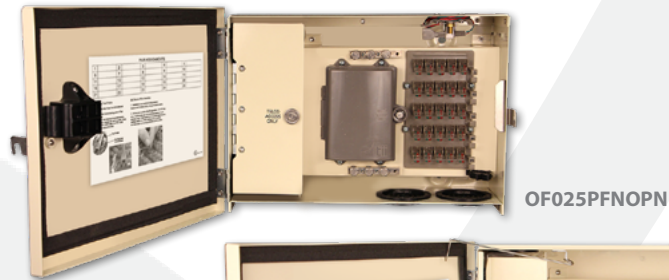
CPE/Premise Wiring

MDU

Utility/Municipality

DOT

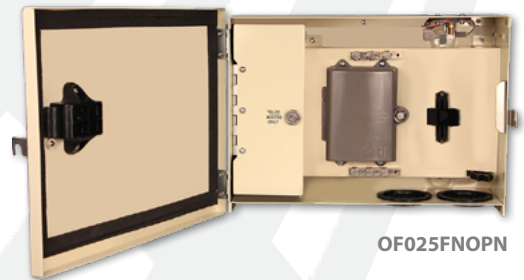
Wireless



OF025PFNOPN



OF025MFNOPN



OF025FNOPN

Tii's OF Series Fixed Outdoor BET and BET/NIDs serve as a network demarcation and distribution point to protect and distribute central office cable pairs at the subscribers' premises.

BET/NIDs utilize the Tii Auto-Jack® to accomplish demarcation point testing. When engaged, the Auto-Jack® connects the RJ11 test plug contacts to the Central Office (CO) for dial tone validation, while disconnecting the customer from the circuit.

#### KEY PRODUCT BENEFITS

- ▶ Aluminum construction, powder coated beige
- ▶ BET cover utilizes "slam latch" with 216 tool access
- ▶ Padlockable with Telco override
- ▶ Splice chamber requires 216 tool for access
- ▶ Industry standard 5-pin protector field
- ▶ Available with factory installed solid state or gas tube protectors
- ▶ Stackable for additional capacity using a stacking kit

#### INDUSTRY STANDARDS

- ▶ IDC Connector - Telcordia TR-NWT-001195
- ▶ BET - Telcordia GR-937/GR-2916
- ▶ NID - Telcordia GR-49/GR-239
- ▶ UL Listed to 497

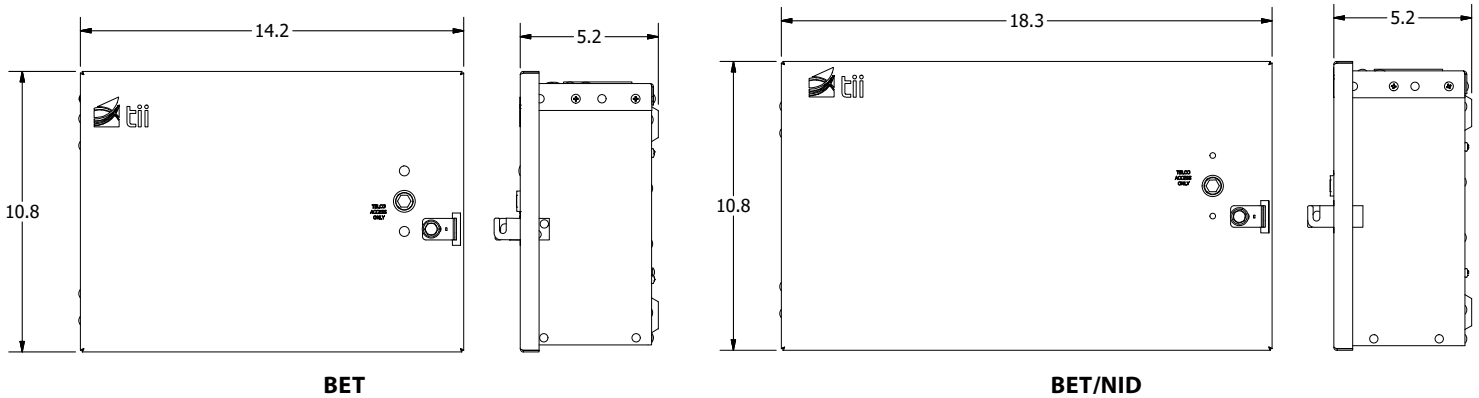


**Tii Technologies Inc.**

#### Corporate Headquarters:

141 Rodeo Drive  
Edgewood, NY 11717  
Phone: 631.789.5000  
Fax: 631.789.5063  
Toll Free: 888.844.4720  
sales@tiitech.com

# OF Series BETs



Dimensions are in Inches  
(25 pair shown)

	Pair Count	Dimensions (height x width x depth)
<b>BET</b>	25 Pair	10.8X14.2X5.2
	50 Pair	17.4X14.2X5.2
	100 Pair	31.1X14.2X5.2
<b>BET/NID</b>	25 Pair	10.8X18.3X5.2
	50 Pair	17.4X18.3X5.2
	100 Pair	31.1X18.3X5.2

## ORDERING INFORMATION

OF	XXX	X	F	XXX	X	XX
Pair Count	Output		Housing	Protection	Input	OEM
025	N = None		F = Fixed	NOP = No Protectors	G = Stub 25'	Contact Sales
050	M = Tooless IDC & NID			3B1ES = 300V Solid State Black, no Test Points	H = 4005 GPM (MS2 Gel)	
100	P = Tooless IDC			3B1FS = 240V Solid State Black, no Test Points	K = 4005 DBM (MS2 Dry)	
300*	R = Tooless IDC & RJ21			3B3ES = 300V Solid State Red, no Test Points	P = 710 SC1 (710 Gel)	
	S = RJ21			3B3FS = 240V Solid State Red, no Test Points	T = 710 SD1 (710 Dry)	
	T = Tooless IDC & Cross Connect			3C1ES = 300V Solid State Black, Test Points	N = Raw Cable	
				3C1FS = 240V Solid State Black, Test Points		
				3C3ES = 300V Solid State Red, Test Points		
				3C3FS = 240V Solid State Red, Test Points		
				6B1E = 350V Gas Tube, Black, PTC, no Test Points		
				6C1E = 350V Gas Tube, Black, PTC, Test Points		
				3B1E = 350V Gas Tube, Black, no Test Points		
				3C1E = 350V Gas Tube, Black, Test Points		

\*300 pair unit is comprised of a kit containing three 100 pair units with associated parts required for stacking