

MST Series

Mini Splice Terminal

Headend/CO
Utility/Municipality



MST-02

KEY PRODUCT BENEFITS

Terminal

- ▶ High density polyethylene protects splices from UV degradation and harsh environments
- ▶ Innovative design permits access to splicing without the removal of the closure or the cable bonding
- ▶ Accommodates straight, butt, and branch splices to non-pressurized communication cables of up to 3.5" (bundle size)
- ▶ Screened vents provide ventilation and water drainage
- ▶ Replaceable rubber end seals
- ▶ Convenient ground connection point for shielded or drain wire equipped cables
- ▶ Ample space in terminal for wire management
- ▶ Terminal compartment accommodates up to two ADX-5T Sealed Terminal Blocks. Each block is capable of terminating five conductor pairs

ADX-5T Gel-Sealed IDC Terminal Blocks

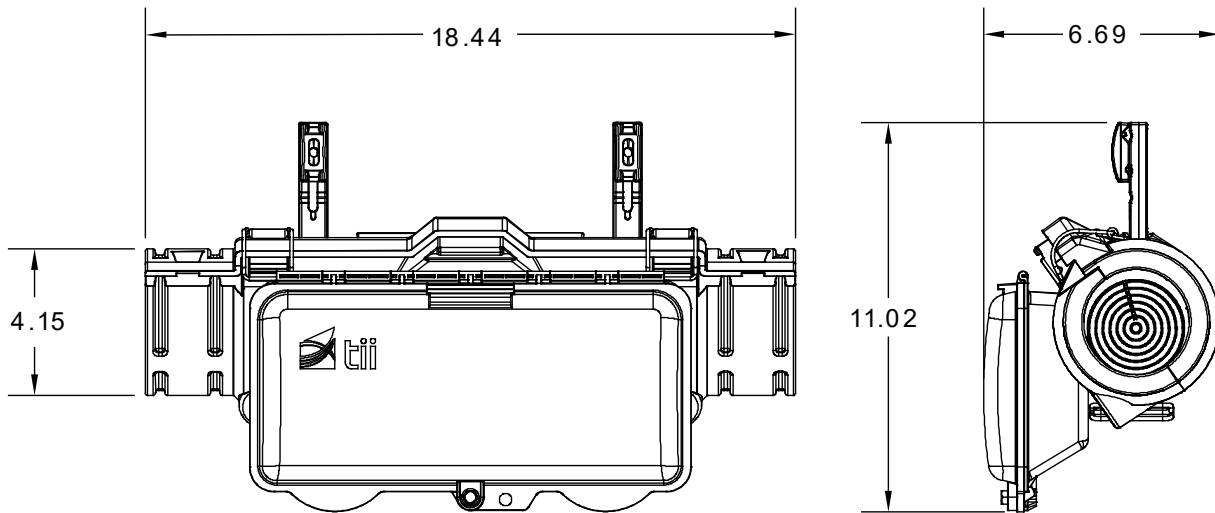
- ▶ No stripping of wire required prior to termination
- ▶ Gel-Sealed IDC terminations reduce installation time and increase reliability
- ▶ Tool-less rockers speed wire termination. No special tooling required. Guaranteed connection every time
- ▶ Upper wire ports accept 22-24 AWG terminations via tool-less rocker technology. Lower wire ports accept 18.5 and 24 AWG
- ▶ Transparent driver enables verification that conductor pairs are fully inserted prior to termination
- ▶ Angled entry ports for easy access termination
- ▶ Integral sealed test points are easily accessible and hold standard issued test clips securely
- ▶ Meets generic requirement for IDC cross-connect and terminal block of Telcordia TR-NWT-001195 and TR-NWT-000975



Tii Technologies Inc.

Corporate Headquarters:

141 Rodeo Drive
Edgewood, NY 11717
Phone: 631.789.5000
Fax: 631.789.5063
Toll Free: 888.844.4720
sales@tiitech.com

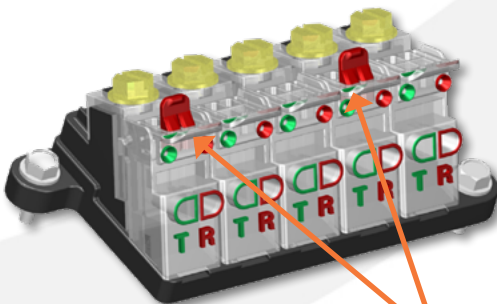


Dimensions are in Inches

ORDERING INFORMATION

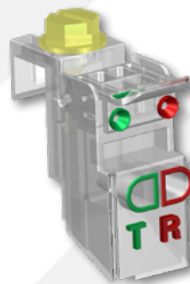
Model No.	Description
MST-01	Terminal Housing with Closure Equipped with One ADX-5T Five Pair Sealed Terminal Blocks, Rubber Grommets
MST-02	Terminal Housing with Closure Equipped with Two ADX-5T Five Pair Sealed Terminal Blocks, Rubber Grommets
ADX-5T	Five Pair Gel-Sealed Terminal Block
00193501	Special Service RED Marker Tag for ADX-5T
00193601	Replacement Gel-Filled Drivers

ACCESSORIES



ADX-5T
IDC Terminal Block

00193501
Special Service
Red Marker Tag



00193601
Gel-Filled Driver