

MFST Series

16 Port Fiber Aerial Terminal

Wireless

FTTx

Utility/Municipality



MFST-CSA9B1T

The MFST Fiber Aerial Terminal Closure is an aerial, strand-mount, free-breathing fiber terminal for fiber to the premises (FTTP) applications. This closure supports distribution splicing and splitting in the main body of the tube, and customer drop fiber terminations in a separate side chamber. Customer drops are supported with SC/APC connections.

KEY PRODUCT BENEFITS

- ▶ High density polyethylene protects fiber connections from UV and harsh environments
- ▶ Supports up to 16 fiber connections and splice
- ▶ Sixteen exit ports for customer drops exiting terminal box chamber
- ▶ Distribution splice chamber separate from terminal box, supporting two different craft skill levels
- ▶ Terminal box has locking feature for added security
- ▶ Innovative design permits access to distribution splicing without closure removal
- ▶ Screened vents provide ventilation and water drainage
- ▶ Replaceable rubber end seals
- ▶ Convenient ground connection point for distribution cable
- ▶ Ample space in terminal for fiber management

INDUSTRY STANDARDS

- ▶ Designed to GR-771, Generic Requirements for Fiber Optic Splice Closures



Tii Technologies Inc.

Corporate Headquarters:

141 Rodeo Drive

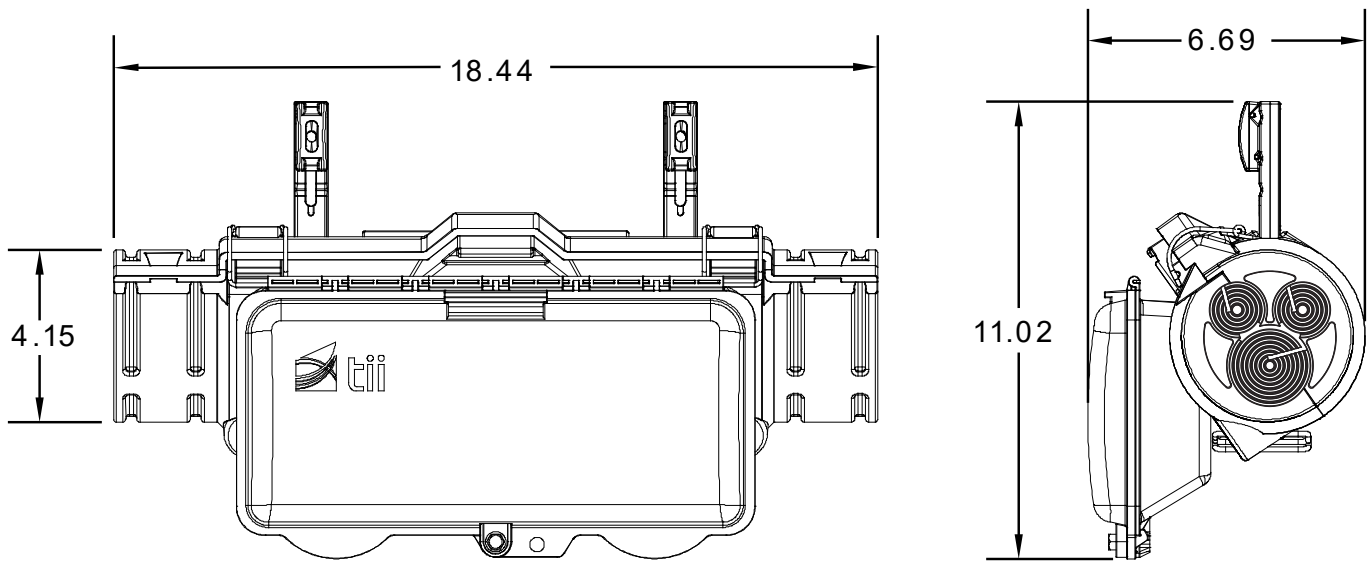
Edgewood, NY 11717

Phone: 631.789.5000

Fax: 631.789.5063

Toll Free: 888.844.4720

sales@tiitech.com



Dimensions are in Inches

MODEL NUMBER MATRIX

MFST	X	XX	X	X	X	X
	Fiber Ports	Adapter	Pigtail & Splice Trays	Splitter	Splitter Qty.	Optional
	2 = 2	NA = None	N = None	0 = None	0 = None	T = Dual Splice Trays
	4 = 4	LC - LC	5 = 250um	A = 1 x 8	1 = 1	A = ADSS Bracket
	6 = 6	SC - SC	9 = 900um	B = 1 x 16	2 = 2	TA = Dual Trays and ADSS Bracket
	8 = 8	SA - SC APC				
	B = 12					
	C = 16					