

## 605 Series

### Twenty-Five Pair Aerial Terminal

CPE/Premise Wiring

Headend/CO

Utility/Municipality



605-5

#### KEY PRODUCT BENEFITS

##### TERMINAL

- ▶ High density polyethylene protects splices from UV degradation and harsh environments
- ▶ Innovative design permits access to splicing without the removal of the closure or the cable bonding
- ▶ Accommodates straight, butt, and branch splices to non-pressurized communication cables of up to 3.5" ( bundle size)
- ▶ Screened vents provide ventilation and water drainage
- ▶ Replaceable rubber or spiral end seals
- ▶ Convenient ground connection point for shielded or drain wire equipped cables
- ▶ Ample space in terminal for wire management
- ▶ Terminal compartment accommodates up to five ADX-5T Sealed Terminal Blocks. Each block is capable of terminating five conductor pairs

##### ADX-5T GEL-SEALED IDC TERMINAL BLOCKS

- ▶ No stripping of wire required prior to termination
- ▶ Gel-Sealed IDC terminations reduce installation time and increase reliability
- ▶ Tool-less rockers speed wire termination. No special tooling required. Guaranteed connection every time
- ▶ Upper wire ports accept 22-24 AWG terminations via tool-less rocker technology. Lower wire ports accept 18.5 and 20 AWG
- ▶ Transparent driver enables verification that conductor pairs are fully inserted prior to termination
- ▶ Angled entry ports for easy access termination
- ▶ Integral sealed test points are easily accessible and hold standard issued test clips securely



**Tii Technologies Inc.**

**Corporate Headquarters:**

141 Rodeo Drive  
Edgewood, NY 11717

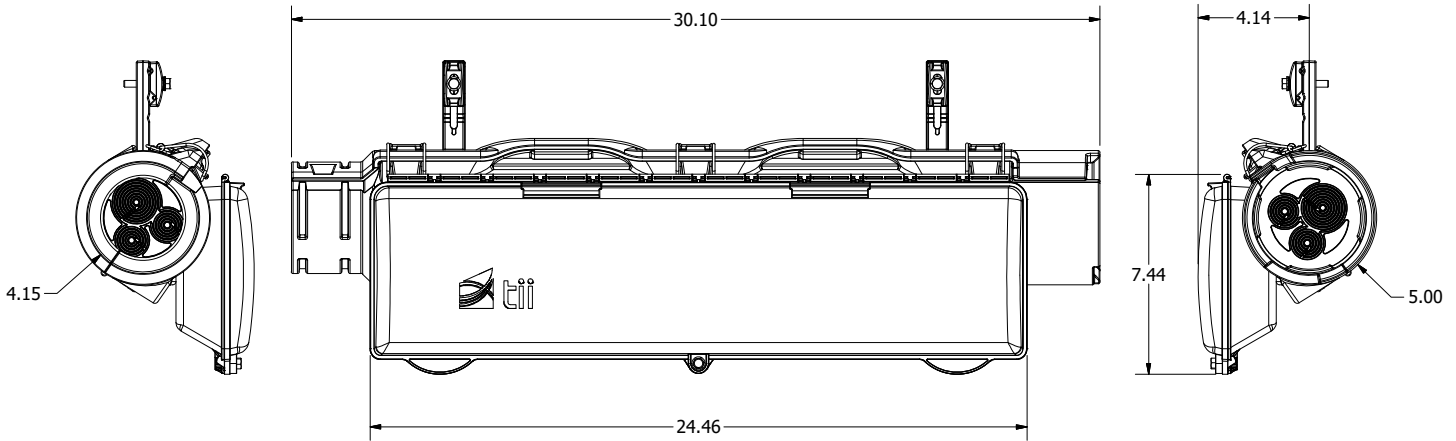
Phone: 631.789.5000

Fax: 631.789.5063

Toll Free: 888.844.4720

sales@tiitech.com

# 605 Series



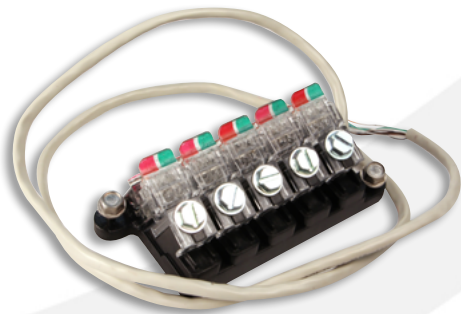
Dimensions are in Inches

## ORDERING INFORMATION

| Model No.       | Description   |
|-----------------|---|
| <b>605-5</b>    | Terminal Housing with Closure Equipped with Five ADX-5T Five Pair Sealed Terminal Blocks, Rubber Grommets |
| <b>605-2</b>    | Terminal Housing with Closure Equipped with Two ADX-5T Five Pair Sealed Terminal Blocks, Rubber Grommets  |
| <b>ADX-5T</b>   | Five Pair Gel-Sealed Terminal Block   |
| <b>00194101</b> | Pair of Replacement Rubber End Seals  |

## ACCESSORIES

(Not Shown to Scale)



**ADX-5T**  
IDC Terminal Block