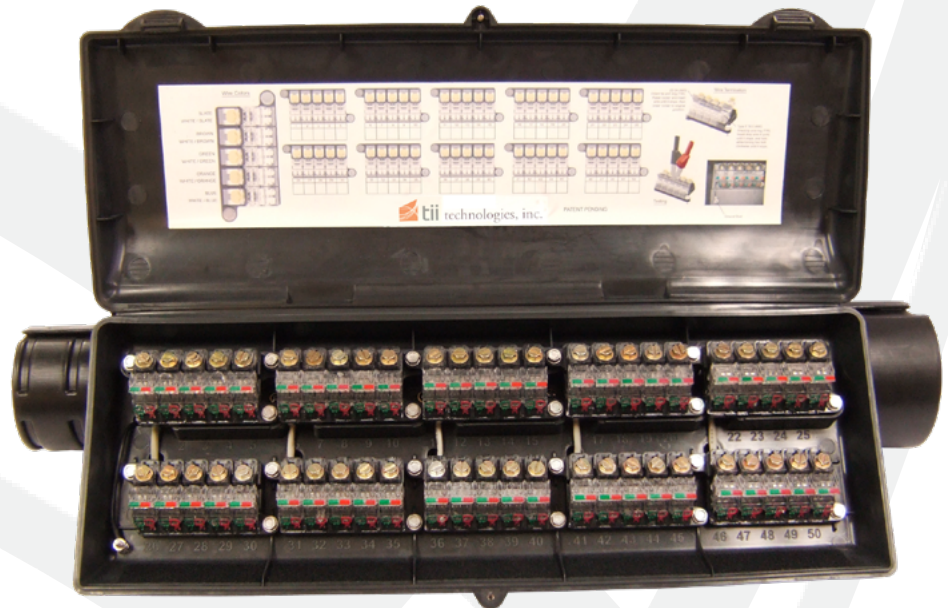


# 605-50 Series

## Fifty Pair Aerial Terminal

CPE Premise Wiring  
Headend/CO  
Utility/Municipality



605-50-10

### KEY PRODUCT BENEFITS

#### TERMINAL

- ▶ High density polyethylene protects splices from UV degradation and harsh environments
- ▶ Innovative design permits access to splicing without the removal of the closure or the cable bonding
- ▶ Accommodates straight, butt, and branch splices to non-pressurized communication cables of up to 3.5" ( bundle size)
- ▶ Screened vents provide ventilation and water drainage
- ▶ Replaceable rubber or spiral end seals
- ▶ Convenient ground connection point for shielded or drain wire equipped cables
- ▶ Ample space in terminal for wire management
- ▶ Terminal compartment accommodates up to five ADX-5T Sealed Terminal Blocks. Each block is capable of terminating five conductor pairs

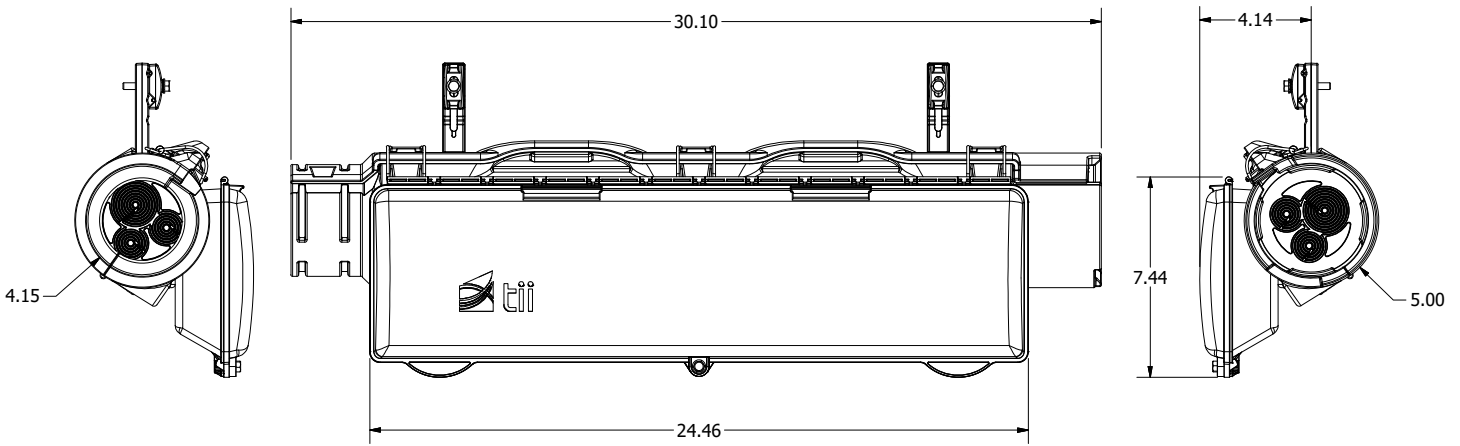
#### ADX-5T GEL-SEALED IDC TERMINAL BLOCKS

- ▶ No stripping of wire required prior to termination
- ▶ Gel-Sealed IDC terminations reduce installation time and increase reliability
- ▶ Tool-less rockers speed wire termination. No special tooling required. Guaranteed connection every time
- ▶ Upper wire ports accept 22-24 AWG terminations via tool-less rocker technology. Lower wire ports accept 18.5-24 AWG
- ▶ Transparent driver enables verification that conductor pairs are fully inserted prior to termination
- ▶ Angled entry ports for easy access termination
- ▶ Integral sealed test points are easily accessible and hold standard issued test clips securely



**Tii Technologies Inc.**

**Corporate Headquarters:**  
141 Rodeo Drive  
Edgewood, NY 11717  
Phone: 631.789.5000  
Fax: 631.789.5063  
Toll Free: 888.844.4720  
sales@tiitech.com



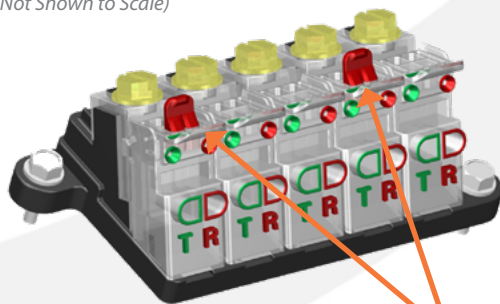
Dimensions are in Inches

### ORDERING INFORMATION

Model No.	Description
<b>605-50-5</b>	Terminal Housing with Closure Equipped with Five ADX-5T Five Pair Sealed Terminal Blocks
<b>605-50-10</b>	Terminal Housing with Closure Equipped with Ten ADX-5T Five Pair Sealed Terminal Blocks
<b>ADX-5T</b>	Five Pair Gel-Sealed Terminal Block
<b>00193501</b>	Special Service RED Marker Tag for ADX-5T
<b>00193601</b>	Replacement Gel-Filled Drivers
<b>00194101</b>	Pair of Replacement Rubber End Seals

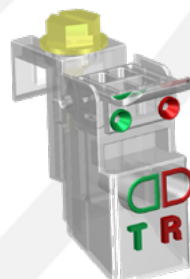
### ACCESSORIES

(Not Shown to Scale)



**ADX-5T**  
IDC Terminal Block

**00193501**  
Special Service  
Red Marker Tag



**00193601**  
Gel-Filled Driver