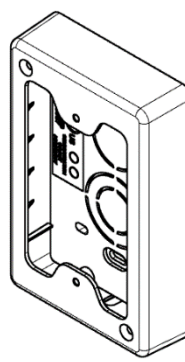


Warranty: If this unit fails during the warranty period, contact Tii customer service to authorize return. Unit may be returned prepaid.

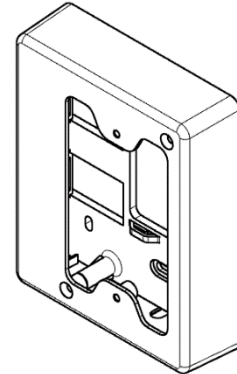


141 Rodeo Drive
Edgewood, NY 11717
Toll Free 888.844.4720
www.tiitech.com

Model 761-WB1-W, 761-WB22-W
Surface Mount Box



761-WB1-W



761-WB22-W

Installation Note

Description

1. The 761-WB1-W and 761-WB22-W Surface Mount Box enables surface mounting of standard wall jack for retrofit applications.
2. Hardware is provided to enable mounting the unit over a standard gang box (Figure 1).

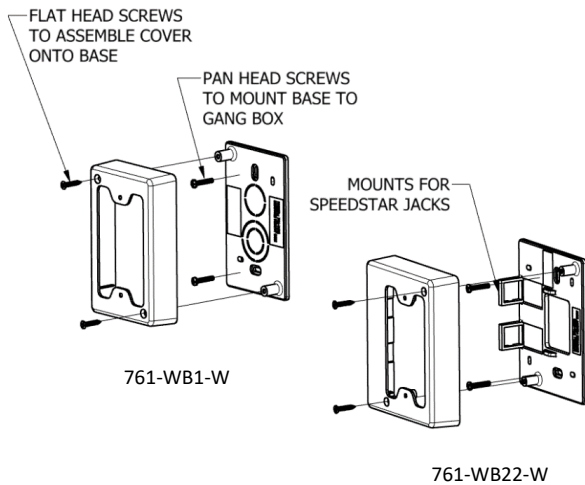


Figure 1

Knockout Instructions 761-WB1-W

1. Use Screwdriver to remove knockouts.
2. Pry up until rib breaks (Figure 2).

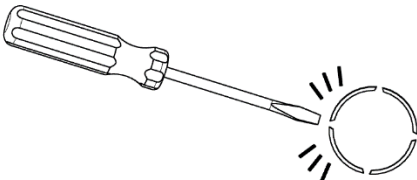


Figure 2

Speedstar Assembly 761-WB22-W

1. Snap the bezel onto the connector and then snap the connector into the frame from the back side (Figure 3).

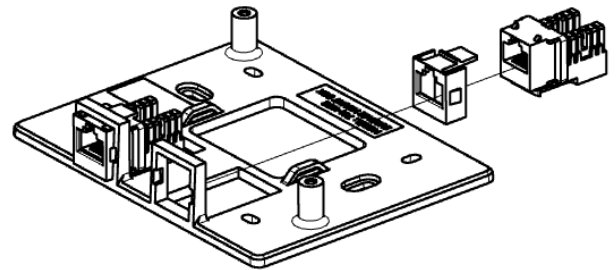


Figure 3