



141 Rodeo Drive
Edgewood, NY 11717
Customer Service/Sales 888-844-4720

530, 531, 536
TFS® Multiple Pair Station Protectors
Rev B 07/09

INSTALLATION NOTE

TII 530-6M



1. GENERAL

- The TII TFS® Multiple Pair Station Protectors may be supplied with up to six protector modules.
- All enclosures are UL listed and designed to provide years of reliable service.
- **National Electric Code Requirement.** The protector shall be installed per National Electric Code ANSI/NFPA 70, Article 800, Section C, and shall meet all applicable local safety codes.

2. INSTALLATION

Surface Mounting

- The TII Station Protector is equipped with five oblong flashed mounting holes; use at least two to mount the station protector to an appropriate surface.

Conduit Mounting

- The TII Station Protector has molded in “V” notch standoffs for conduit mounting. Two standoffs are provided for vertical mounting and two for horizontal mounting.
- The “V” notched standoffs have slots for a ¼” stainless steel screw clamp, stainless steel cable clamp or a large plastic tie wrap can be threaded through to tightly secure the TII Station Protector to the conduit.

3. WIRING

- Ground the protector using a No. 6 AWG solid copper insulated ground wire.
- Connect one end of the ground wire to the ground stud of the station protector and the other end to an appropriate ground source.
- **NOTE:** An integral ground bracket provides common grounding between mounting posts and telco ground
- Terminate one end of the grounding conductor (No. 6 AWG) on the ground stud / binding post and the other end to an appropriate ground source.

- Terminate the Telco Side cable in between the bottom set of washer and bottom nut of the appropriate stud (one conductor to Tip and one to Ring) and tighten down (Figure 1).
- Terminate the Customer Side Cable under the top set of washers and the top nut of the appropriate stud (one conductor to Tip and one to Ring) and tighten down (Figure1).
- A fanning strip is provided to assist in dressing cables.
- Use caution when terminating small gauge Customer Side cable on the protector module terminals, as the wires may catch in the threads of the terminal and be cut or broken when nuts are tightened.
- Check all nuts to make sure they are tight.
- **NOTE:** Maintain a minimum clearance of ¼” from other live connections such as ground studs or line studs of other modules.
- Close the door and latch it by applying light pressure at the center of the right hand edge to engage the locking tabs.
- Seal housing by with a tie wrap or similar device in the slot between the locking tabs.

4. EXPANSION

- The TII Station Protector may be supplied with no protector modules, two, four or six protector modules. When supplied with six protector modules, no further expansion is possible.
- To add a module, simple loosen the hex nut on the appropriate module retaining post and snap the ground tab on to the retaining post under both the nut and washer.
- Tighten the hex nut.
- Modules should be added in descending order starting from the top. Do not skip any spaces.

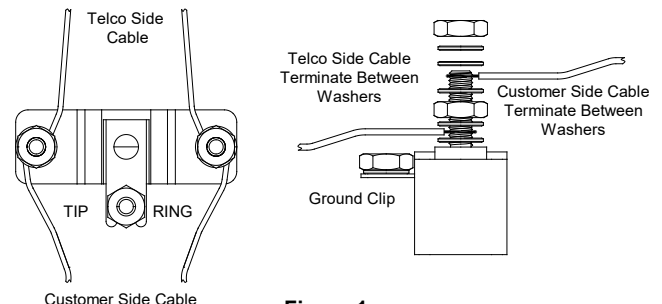


Figure 1