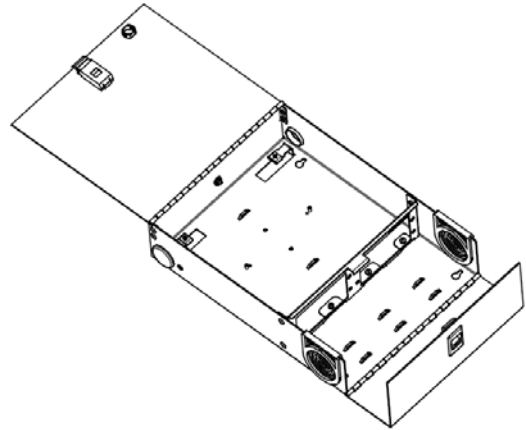


Warranty: If this unit fails during the warranty period, contact tii customer service to authorize return. Unit may be returned prepaid.



141 Rodeo Drive
Edgewood, NY 11717
Toll Free 888.844.4720
www.tiitech.com



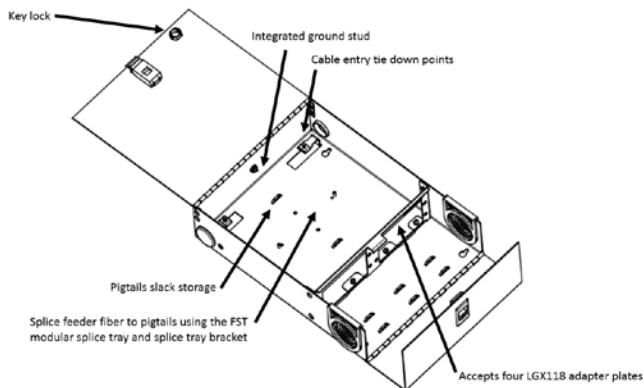
Model WM04BT
WALL MOUNT PATCH & SPLICE FIBER ENCLOSURE

Installation Note

Description

Wallmount fiber distribution unit designed to support patching and splicing in one unit. The enclosure has 4 adapter panel positions, allowing for a wide variety of fiber termination connector types. Two compartments separate the network terminations from the distribution terminations and the unit has two outer doors with key lock.

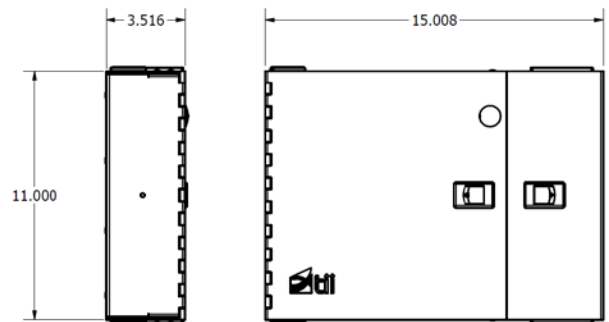
Features



Installation

The WM04BT is designed for indoor installation. It can be ordered empty and configured on-site or factory loaded with adapter plates, pigtails and splice trays to reduce the installation time.

1. Select a vertical indoor wall surface with easy access and adequate clearance from other fixtures and power circuits. Near a suitable earth ground.
2. Utilize a plywood backer board or fastener anchors as appropriate to the install surface.



3. Mark and install appropriate wall hanging hardware and secure the unit.

