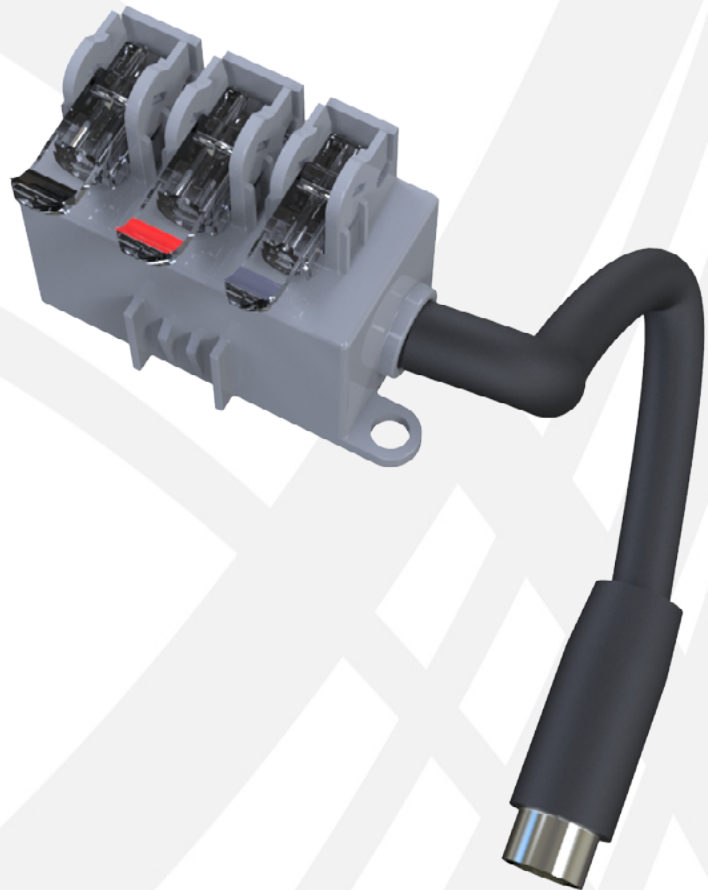


ONT-PWRDIN-U

Universal Mounting Power Module

Compact Craft Friendly Design
Utilizes Tii's Gel-Sealed
IDC Rocker Design

Easily Mounts Into ONT Enclosure



The ONT-PWRDIN-U Connection Module is designed to conveniently field terminate power and alarm conductors during installation of desk top ONTs and power adapters.

KEY PRODUCT BENEFITS

- ▶ Easily mounts into ONT enclosure
- ▶ Terminations are made to gel-sealed insulation displacement contacts (IDC) by means of convenient tool-less rocker assemblies
- ▶ Wire stripping is not required
- ▶ Rocker assemblies are color coded and marked for easy recognition and installation
- ▶ Accepts One (1) 24 AWG Tool-less IDC termination and Two (2) 16 AWG power connectors. Outdoor Pigtail: 9-pin mini DIN connector

INDUSTRY STANDARDS

- ▶ RoHS Compliant

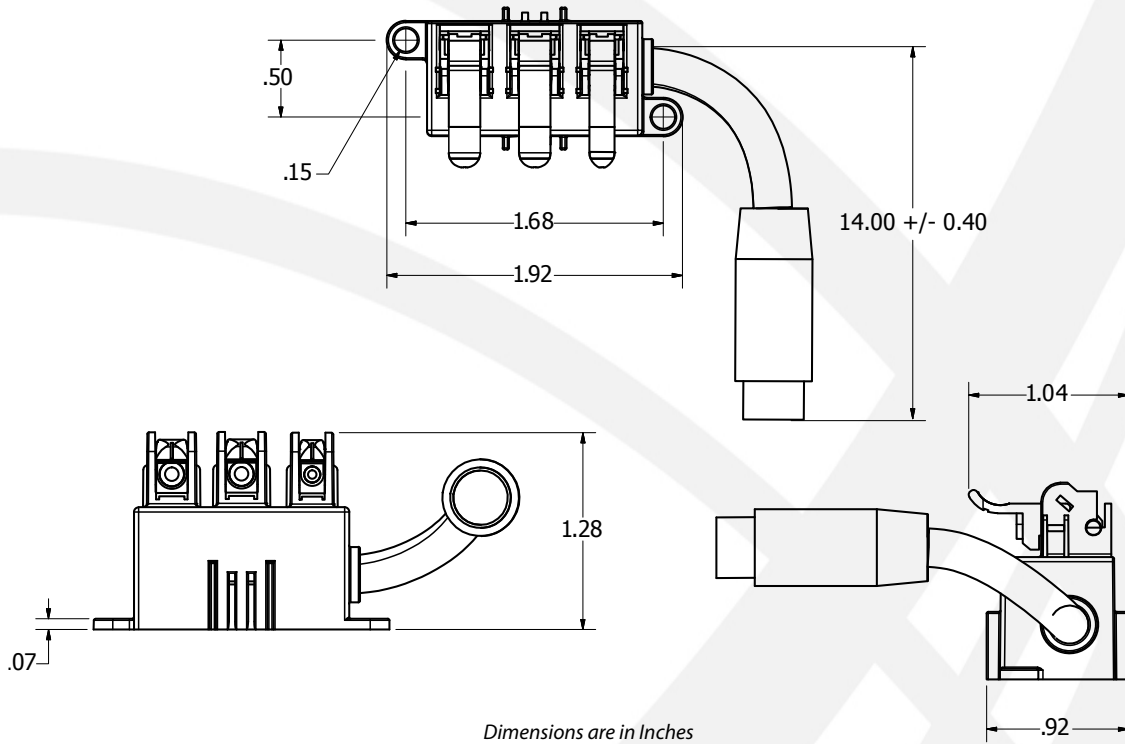


Tii Technologies Inc.

Corporate Headquarters:

141 Rodeo Drive
Edgewood, NY 11717
Phone: 631.789.5000
Fax: 631.789.5063
Toll Free: 888.844.4720
sales@tiitech.com

ONT-PWRDIN-U



ORDERING INFORMATION

Model No.	Description
ONT-PWRDIN-U	Power Module with DIN Connector Output, Two DC Power Inputs and One Alarm Input