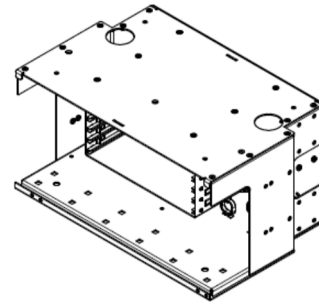


Warranty: If this unit fails during the warranty period, contact Tii customer service to authorize return. Unit may be returned prepaid.



141 Rodeo Drive
Edgewood, NY 11717
Toll Free 888.844.4720
www.tiitech.com



Model RM4UWLS
LGX 4RU SPLICE BAY 6 SPLICE TRAY CAPACITY

Installation Note

Description

The RM4UWLS splice bay organize, store and protect fiber splices in high density splice trays.

Contents

- LGX Series Splice bay
- 19/23" Mounting Brackets
- Cable entry clamp
- Screws

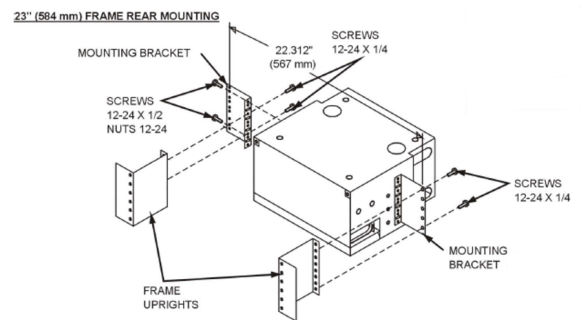
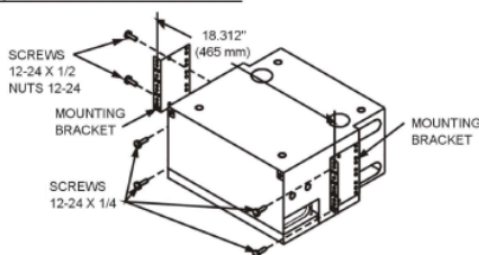
Features

- Universal 19 or 23" rack mounting
- Up to 6 splice tray capacity
- Best suited for ribbon cables. Use the RM5UWLS for tight buffer or loose tube cables with additional slack storage area were possible.
- Slide out splice tray for easy access

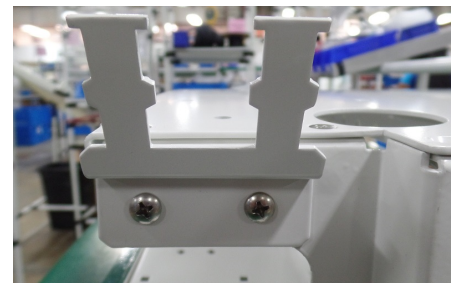
Installation

1. Secure either 19" or 23" Rack mount ears to panel using supplied screws.

19" (483 mm) FRAME MOUNTING CONFIGURATION

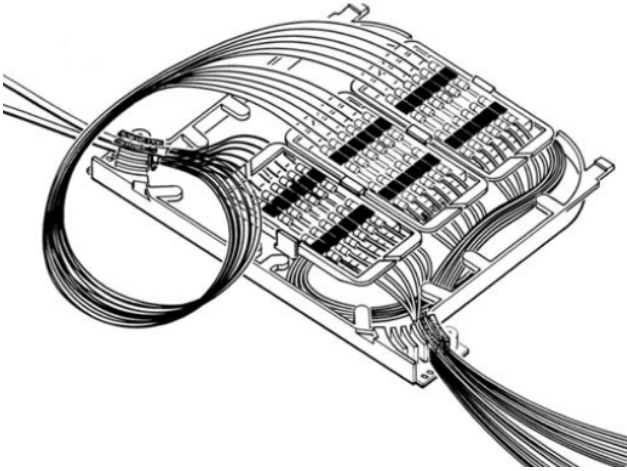


2. Position splice bay at desired location in the Rack using supplied screws in the accessory kit. This unit will consume 4RU of space.
3. Install the cable entry clamp using supplied screws, locations allows for either top or bottom cable entry on both the left and right side.



4. Prep the feeder cable for termination per cable manufacturer's instructions, typically 1 meter jacket removal. And pull cable to suitable work surface.

5. Prepare work table or similar work space and fusion splice feeder cable to factory installed and labeled pigtails. Mass fusion trays will support up to 18 mass fusions, and the single fiber tray will support up to 48 single fiber fusions
6. Dress fusion splice tray, slack will route under splice chips and store typically 1 meter of 250um, 900um, or ribbon on each side



7. Dress feeder and pigtail slack and store in bottom of cabinet ensuring splice tray will not kink or stress fibers beyond cable manufacturers recommended bend tolerances. Splice trays should extend to mechanical stop for inspection and maintenance. Wire saddles and Velcro are supplied in the accessory kit to aid slack storage.
8. Secure feeder cable to cable entry clamp using supplied hose clamps or other suitable fastener like a zip-tie

