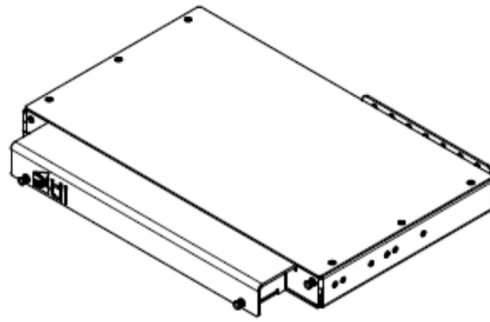


Warranty: If this unit fails during the warranty period, contact tii customer service to authorize return. Unit may be returned prepaid.



141 Rodeo Drive
Edgewood, NY 11717
Toll Free 888.844.4720
www.tiitech.com

Model RM1U2S
SWINGOUT PATCH AND SPLICE PANEL



Installation Note

Description

The Swingout patch panel is a Rack mount Distribution Enclosure which fits both 19" and 23" Racks. It can be Factory loaded with Adapter Plates, Splice Trays and Pigtails in 250/900um or 12 Fiber Ribbon Cable.

Contents

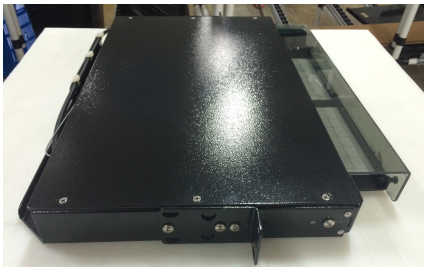
- RM1 Swingout patch and splice panel
- 19/23" Mounting Brackets
- Zip ties
- Screws

Features

- 19 or 23" Rack Mountable
- Up to 2 LGX118 Adapter Plates
- Multiple Tie Down Points for Buffer Tube

Installation

1. Secure either 19" or 23" Rack mount ears to panel using supplied screws



2. Position Enclosure at desired location in the Rack. This unit will consume 1RU of space

3. Route the incoming fiber cable to the back of the unit and secure using supplied zip-ties; ensure that the cable is free from sharp bends or tension.



4. Prep the feeder cable for termination per cable manufacturer's instructions, typically 1 meter jacket removal. And pull cable to suitable work surface.
5. Pull front plunger and swing the plate out from the shelf master to assist with fiber routing. Terminate or fusion splice feeder cable. Store excess feeder in slack storage loop.

