

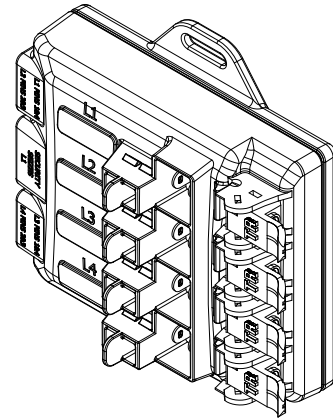
Warranty: If this unit fails during the warranty period, contact tii customer service to authorize return. Unit may be returned prepaid.



141 Rodeo Drive
Edgewood, NY 11717
Toll Free 888.444.4720
www.tiinettech.com

Model DVC-4
4 LINE DIGITAL VOICE CONNECTOR

Installation Note



Description

1. The tii DVC-4 is an indoor digital voice connector with two RJ-11 jacks, RJ-31X jack and four IDC rockers. It comes equipped with 2 pairs of test points for each line.
2. The tii DVC-4 utilizes gel sealed insulation displacement terminations that provide reliable connectivity.
3. The tii DVC-4 Series is for indoor use only.
4. IDC rockers are used to terminate 26-22 AWG solid wire.

Installation

1. The DVC-4 series should be mounted with supplied hardware in dry location.
2. Locate the existing phone jack outlet box where telephone wires enter the premises. Disconnect the incoming telephone service to the existing RJ-11.
3. Wire unit as shown in Figure 1. Refer to schematic on sheet 2.
4. Pull up the IDC rocker's to the fully open position, insert wires as shown in Figure 1 until they bottom out, do not strip wires.
5. Push down the IDC rocker to the closed position for termination.

Product Designations

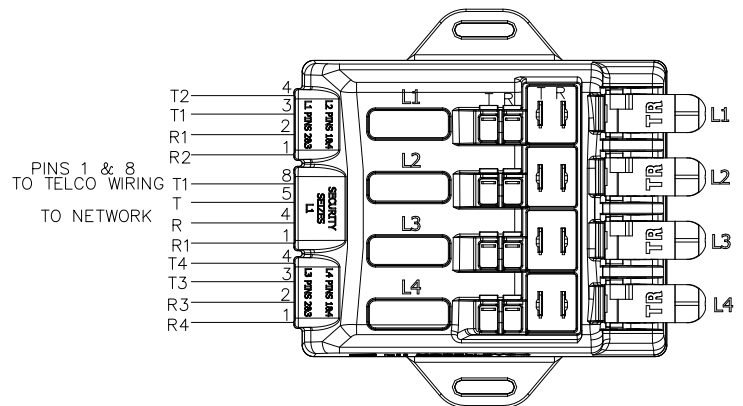
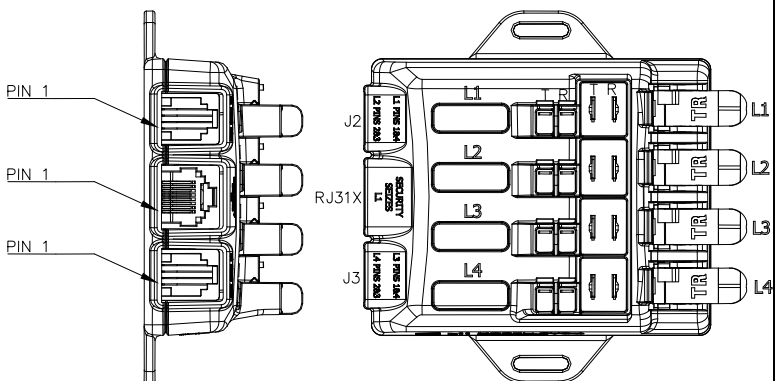


Figure 1

Schematic

