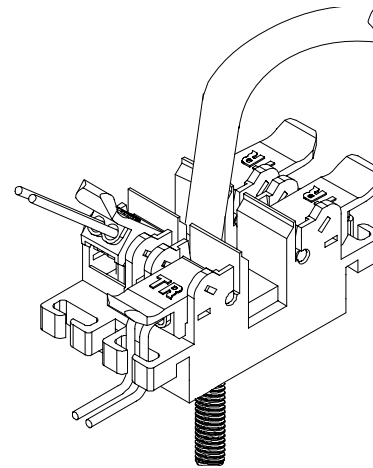


Warranty: If this unit fails during the warranty period, contact tii customer service to authorize return. Unit may be returned prepaid.



141 Rodeo Drive
Edgewood, NY 11717
Toll Free 888.444.4720
www.tiinettech.com

Model 67-2-18
Sealed Wire Termination Block



Installation Note

Description

1. The TII 67-2-18 Sealed Wire Termination Block is used where several parallel connections to a multi-pair cable are needed. The TII 67 Series provides parallel connections in the following configurations:

Model #Description

67-2-18 4-pair input, 4 parallel pair outputs

Features

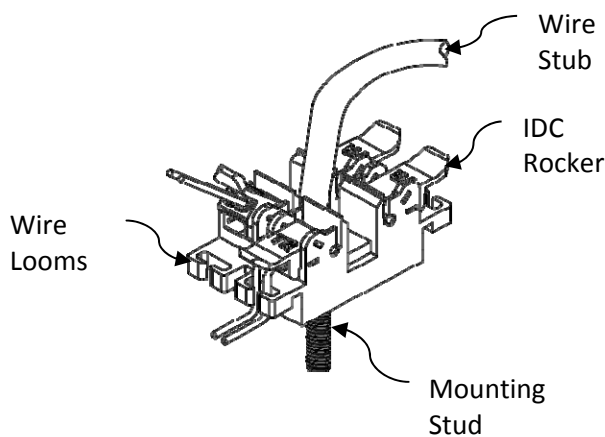


Figure 1

Installation

1. Lift the rocker of the input terminal (L1 or L2) to the full up position. DO NOT strip wires. Hold the wire pair to be terminated between thumb and index finger. Insert wires into wire guides simultaneously until they bottom-out. While holding wires in position, terminate rocker by lowering to the full DOWN position.
2. Terminate any additional input or output pairs as required following the above steps.
3. To keep wire pairs organized, route them through the molded wire looms as shown in Figure 1.

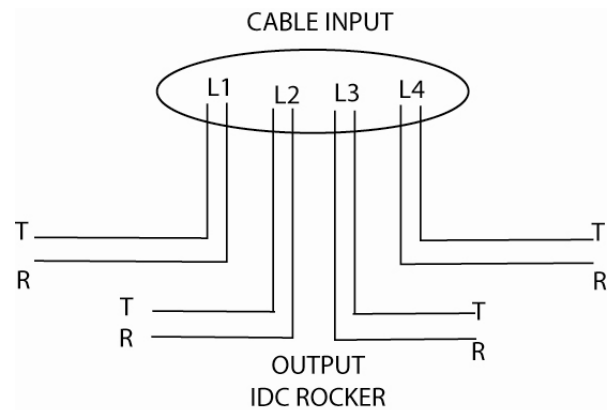


Figure 2