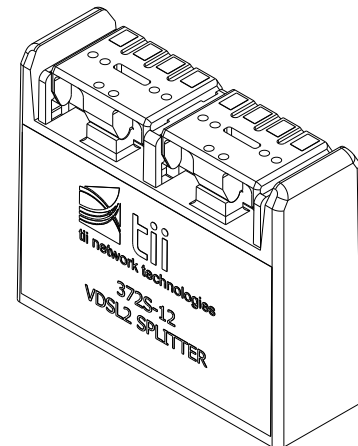


Warranty: If this unit fails during the warranty period, contact tii customer service to authorize return. Unit may be returned prepaid.



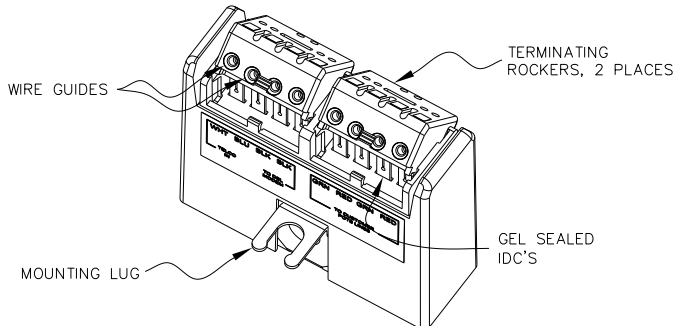
141 Rodeo Drive
Edgewood, NY 11717
Toll Free 888.444.4720
www.tiinettech.com

Model 372S-12
VDSL2 Pots Splitter Module



Installation Note

Features



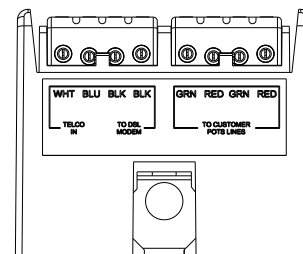
DESCRIPTION

1. The tii 372S-12 Series VDSL2 POTS Splitter Module maintains a constant direct connection between customer and central office service provider.
2. The connections to the DSL modem and POTS line are provided through the IDC connections.

INSTALLATION

1. Remove the splitter module from plastic bag and inspect; if damaged, replace with an undamaged splitter module.
2. Using a 3/8" wrench unscrew the binding post nuts to slide the splitter module in place.
3. Torque down the ground nut.

Left-Side Rocker Right-Side Rocker



WIRING

1. Two telephone voice (POTS) pairs and one DSL line (DATA) can be connected to a single Splitter Module.
2. Lift the right side rocker to the up (disengaged) position to terminate the POTS line customer wiring.
3. Insert wires into wire guides at the same time until they bottom out.
4. Insert and terminate TIP (G) & RING (R) wires into sealed IDC connection.

NOTE: IDC's accept 22-26 AWG solid wire. Wires should be aligned to the corresponding holes.

5. Terminate the DSL modem wire pair at the IDC termination on the left side rocker marked DSL Modem (Black Rockers).
6. Terminate the Telco In wire pair at the IDC termination on the left side rocker marked Telco In (White / Blue Rockers).
7. Assure both rockers are in the fully down engaged position.