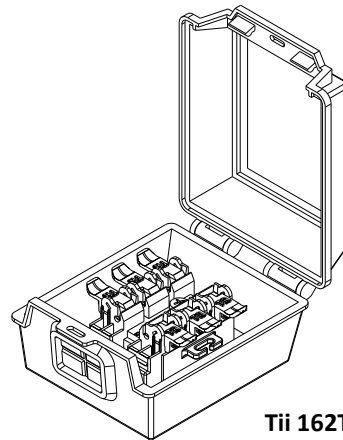


Warranty: If this unit fails during the warranty period, contact tii customer service to authorize return. Unit may be returned prepaid.

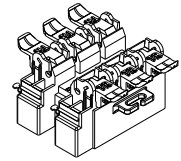


141 Rodeo Drive
Edgewood, NY 11717
Toll Free 888.444.4720
www.tiinettech.com

Model 69T-2S/162T-2S
Sealed 6-Pair Wire Termination Block
Wire Terminal Housing
Wired and Labeled for Home Security



Tii 162T-2S



Tii 69T-2S

Installation Note

Description

1. The tii 162T-2S Series Sealed Wire Termination Housing is used for installing tii 69T-2S Series Wire Termination Blocks where connections are needed for a home security system and customer telephone wires. The tii 162T-2S can be mounted indoors or outdoors using the standard hardware provided.

Features

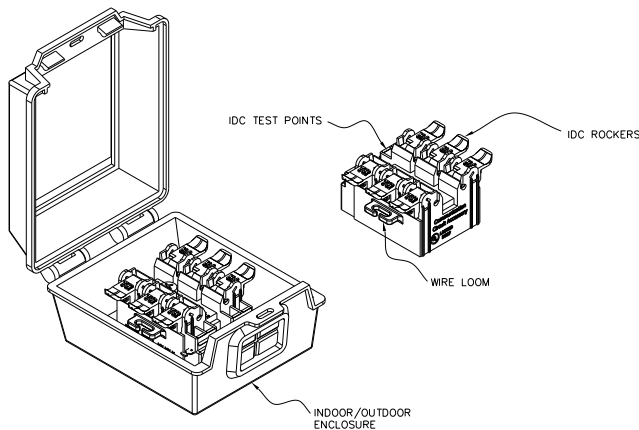


Figure 1

Installation

1. Installation is accomplished using standard technician tools. The Insulation Displacement Contacts (IDC) are achieved using gel sealed rockers.
2. IDC Terminations accept 26-22 AWG solid wire.
3. Remove the tii 69T-2S/162T-2S products and inspect them for damage. If damaged, obtain another unit.
4. Locate a suitable flat, dry area to install the unit. Use two size #8 screws to mount the unit. Install the tii 69T-2S Series Termination Block.
5. Lift the rocker labeled MTA to the full up position. DO NOT strip wires. Hold the wire pair to be terminated between thumb and index finger. Insert wires into wire guides simultaneously until they bottom-out. While holding wires in position, terminate rocker by lowering to the full DOWN position (See Figure 2).
6. Terminate wires going to and from security system, and customer telephone wires as required following the above steps and using Figure 3 as a reference.
7. Test for line continuity using the test points. (Figure 2)
8. Dress up the wires properly inside the housing and close the cover. A suitable tie wrap can be used for added security.

NOTE:

When it is necessary to terminate to the block with a wire larger than 22 AWG we suggest splicing 22 AWG or smaller wire to the larger wire using a miniature terminal splice such as 3M's Scotchlok #UR2 (19-26AWG max., .155 dia. Insulation) or #314 (14-22AWG, max., .082 dia. Insulation).

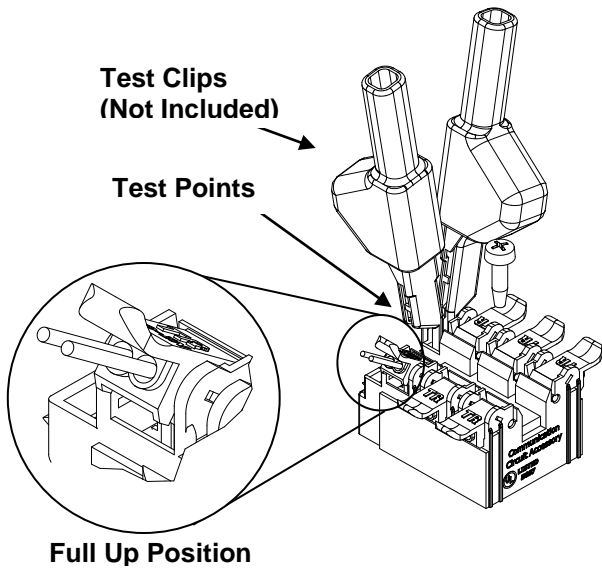


Figure 2

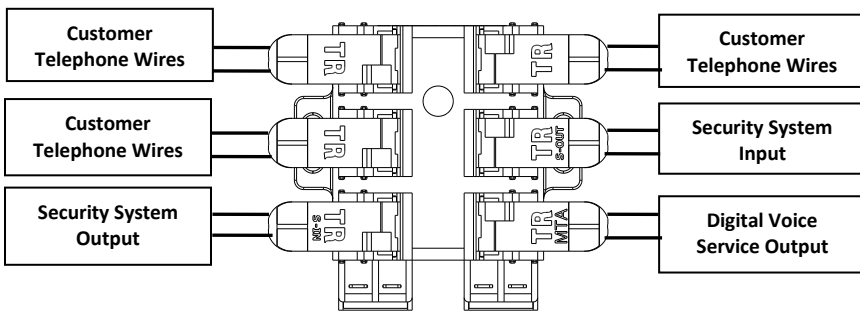


Figure 3