

INSTALLATION NOTE

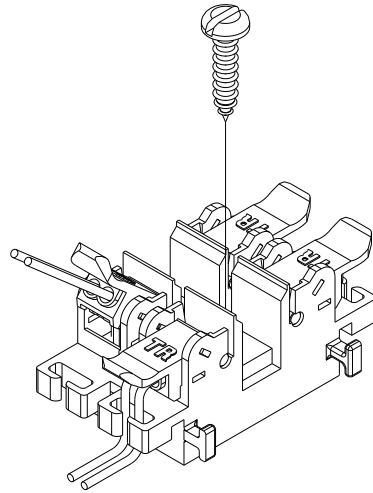


Figure 1

1.00 GENERAL

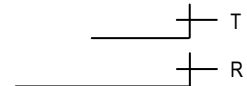
1.01 The TII 67 Series Sealed Wire Termination Block is used where several parallel connections to a single tip-ring pair are needed. The TII 67 Series provides parallel connections in the following configurations:

Model #	Description
67-1	1-pair input, 3 parallel pair outputs
67-2	2-pair inputs, 2 parallel pair outputs

1.02 Installation is accomplished using standard technician tools. The Insulation Displacement Contacts (IDC) are achieved using gel sealed rockers.

2.00 INSTALLATION

2.01 Remove the TII 67 Sealed Wiring Terminal Block and inspect it for damage. If damaged, obtain another unit.



2.02 Locate a suitable flat, dry area to install the unit. Use one size #8 screw to mount the unit.

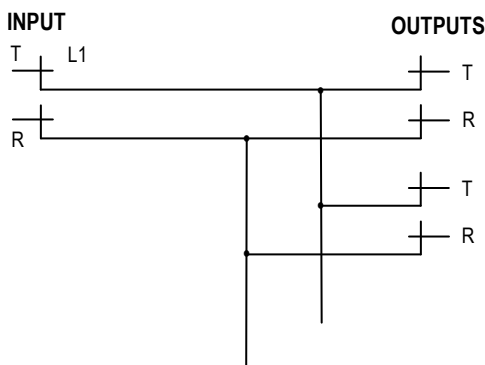
2.03 The TII 67 Sealed Wiring Terminal Block can also be installed in the TII 164 enclosure.

2.04 Lift the rocker of the input terminal (L1 or L2) to the full up position. DO NOT strip wires. Hold the wire pair to be terminated between thumb and index finger. Insert wires into wire guides simultaneously until they bottom-out. While holding wires in position, terminate rocker by lowering to the full DOWN position.

2.05 Terminate any additional input or out pairs as required following the above steps.

2.06 To keep wire pairs organized, route them through the molded wire looms as shown in Figure 1.

TII 67-1



TII 67-2

