

WSE-144

Wallmount Splice Enclosure

Indoor Wall Mount Fusion Splice
 Designed For Enterprise Networks,
 FTTB, FTTH and MDU Applications
 Lightweight Aluminum with
 Small Footprint



Tii Technologies Inc.

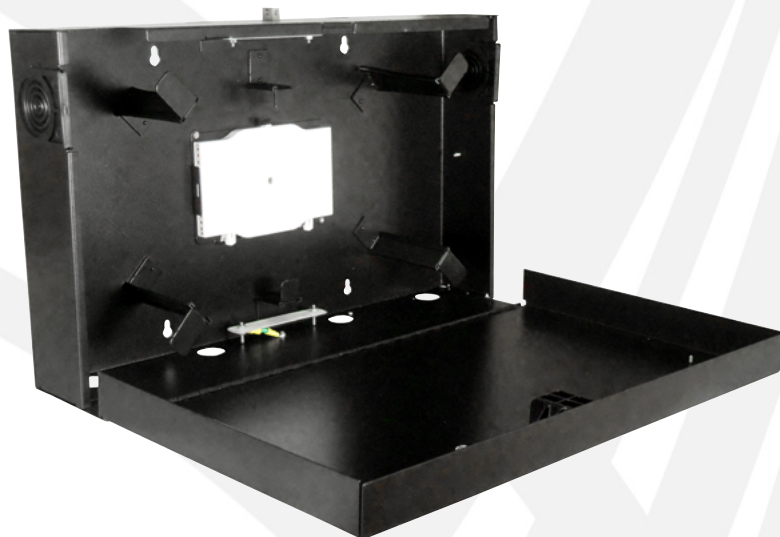
Corporate Headquarters:

141 Rodeo Drive
 Edgewood, NY 11717
 Phone: 631.789.5000 • Fax: 631.789.5063
 Toll Free: 888.844.4720
 sales@tiitech.com

Locations:

South March
 Long March Industrial Estate
 Daventry, Northamptonshire, NN11 4PH, UK
 Phone: +44 (0) 1327 301853
 Fax: +44 (0) 1327 879532
 sales@tiitech.co.uk

Av. José de Escandón y Helguera
 No. 21 Ciudad Industrial
 Matamoros, Tamaulipas, C.P. 87494, México
 Phone: 868.812.8011 • Fax: 868.812.8025
 salesmx@tiitech.com.mx



Indoor wall mount fiber optic splice enclosure to transition from OSP to premise optical cable. WSE provides storage and protection of fiber splices. The front door of the housing is a work surface that can support the weight of a fusion splicer.

Multiple NPT compatible cable entry/exit locations are provided on the top and bottom with grommets to prevent dust from entering the housing. Side entry grommets allow for easy mid-span access of pass through cables. Integrated ground is provided for proper grounding of armored cables.

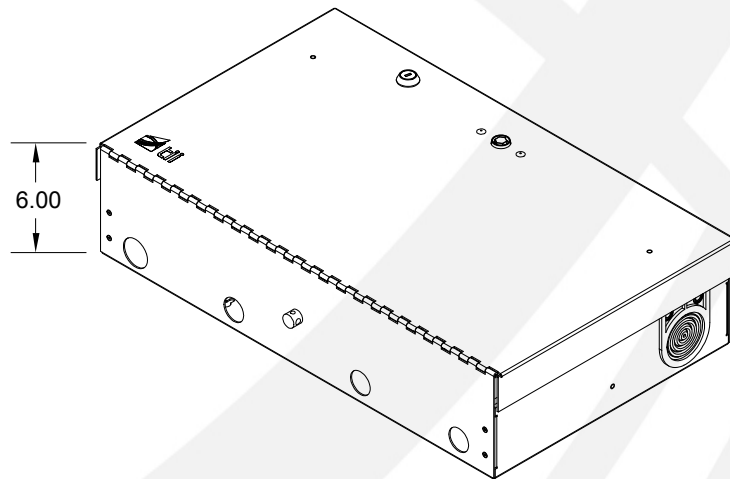
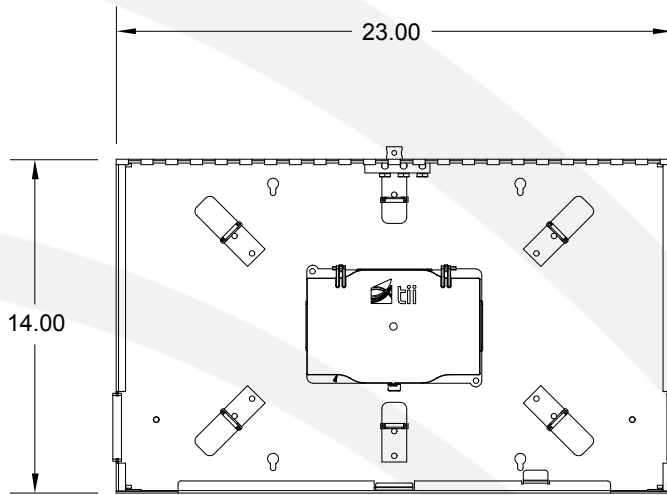
KEY PRODUCT BENEFITS

- ▶ Small footprint
- ▶ Lightweight 0.60" aluminum with black powder coat finish
- ▶ Front door serves as splicer work surface with slam lock 216 tool compatible 3/8" hex head bolt and key lock for added security
- ▶ Side entry mid-span access
- ▶ 1 ea top and bottom NPT 1" compatible cable entry ports
- ▶ 3 ea top and bottom NPT 3/4" compatible cable entry ports
- ▶ 6 ea FST series splice tray capacity
- ▶ Integrated grounding bar with external ground lug

INDUSTRY STANDARDS

- ▶ NEMA 2, IP22

WSE-144



Dimensions are in Inches

ORDERING INFORMATION

Model No.	Description	Standard Pkg.
WSE-144	Wallmount Splice Enclosure 6 Splice Tray Capacity with 1 NPT-1" and 2 NTP 3/4" Cable Glands	1 ea. 26" x 17" x 9" – 15 lbs.

ACCESSORIES

Model No.	Description	Standard Pkg.
FST-ASF24	Splice Tray 24 Single Fusion	20 ea. 10" x 8" x 6" - 5 lbs.
FST-AMF06	Splice Tray 6 Mass Fusion (72 Fiber)	20 ea. 10" x 8" x 6" - 5 lbs.
KT-CG-NPT-1	Cable Gland NPT 1 inch (0.748 - 1.0")	10 ea. 12" x 8" x 5" - 3 lbs.
KT-CG-NPT-3/4	Cable Gland NPT 3/4 inch (0.512 - 0.709")	10 ea. 12" x 8" x 5" - 3 lbs.