

WM4PBF

Wall Mount Patch & Splice Fiber Enclosure

Accommodates Up to
48 Fiber Ports

Available with Various Fiber
Termination Connectors

Multiple Pigtail and Splice Tray
Options Available

Optional Key Lock Installed

Used in Telecom Closets and
Remote Distribution Terminals



Tii Technologies Inc.

Corporate Headquarters:

141 Rodeo Drive
Edgewood, NY 11717
Phone: 631.789.5000 • Fax: 631.789.5063
Toll Free: 888.844.4720
sales@tiitech.com

Locations:

South March
Long March Industrial Estate
Daventry, Northamptonshire, NN11 4PH, UK
Phone: +44 (0) 1327 301853
Fax: +44 (0) 1327 879532
sales@tiitech.co.uk

Av. José de Escandón y Helguera
No. 21 Ciudad Industrial
Matamoros, Tamaulipas, C.P. 87494, México
Phone: 868.812.8011 • Fax: 868.812.8025
salesmx@tiitech.com.mx

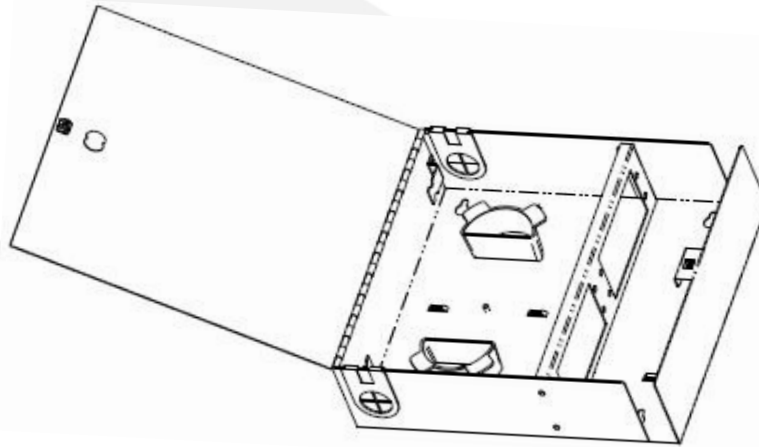


Wall mount fiber distribution unit designed to support patching and splicing in one unit. The enclosure has 4 adapter panel positions, allowing for a wide variety of fiber termination connector types. Two compartments separate the network terminations from the distribution terminations, and the unit has a single outer door with optional key lock.

KEY PRODUCT BENEFITS

- ▶ Available with factory loaded adapter plates, splice trays and pigtails
- ▶ Suitable for loose tube, tight buffer and ribbon cable
- ▶ Cable entry tie down points
- ▶ Single door with optional key lock available
- ▶ Top or bottom cable entry
- ▶ LGX® compatible adapter plates
- ▶ Made in USA

WM4PBF



Dimensions are in Inches

SPECIFICATIONS

Property	Value
Adapter Plates	4
Splice Trays	4
Dimensions	11.5"H x 13"W x 3.5"D
Packaging	12"H x 14"W x 4"D
Weight	8 lbs empty, 11 lbs typical loaded
Material	18 GA Steel, Black powder coat

ORDERING INFORMATION Model Number Matrix

WM4PBF	-XXX	-X	-XX	-X	-X
	Fiber Ports	Fiber Type	Adapter	Pigtails & Splice Trays	Key Lock
	012	R = Singlemode	FC - FC	N = None	L
	024	K = MM62.5 OM1	FA - FC APC	5 = 250um	
	036	C = MM50 OM2	LC - LC	9 = 900um	
	048	S = MM50 OM3	SC - SC	R = 12 Fiber Ribbon	
			SA - SC APC		
			ST - ST		
			TP - MTP		

Model #	Description
WM4PBF	Wallmount patch panel empty 4 LGX adapter plate capacity
RM-SPL-BKT-4	Splice tray mounting bracket 4 tray capacity
TRAY7	Splice tray 7 inch 12 fiber single fusion
LG1-xxxxxx-B	LG1 series adapter plates in black (See LG1 product guide)