

## WM2PBF

### Wall Mount Patch & Splice Fiber Enclosure

Accommodates Up to  
24 Fiber Ports

Available with Various Fiber  
Termination Connectors

Multiple Pigtail and Splice Tray  
Options Available

Optional Key Lock Installed

Used in Telecom Closets and  
Remote Distribution Terminals



**Tii Technologies Inc.**

**Corporate Headquarters:**

141 Rodeo Drive  
Edgewood, NY 11717  
Phone: 631.789.5000 • Fax: 631.789.5063  
Toll Free: 888.844.4720  
sales@tiitech.com

**Locations:**

South March  
Long March Industrial Estate  
Daventry, Northamptonshire, NN11 4PH, UK  
Phone: +44 (0) 1327 301853  
Fax: +44 (0) 1327 879532  
sales@tiitech.co.uk

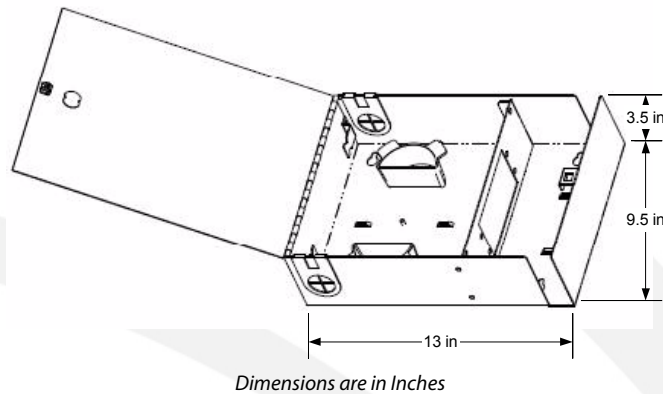
Av. José de Escandón y Helguera  
No. 21 Ciudad Industrial  
Matamoros, Tamaulipas, C.P. 87494, México  
Phone: 868.812.8011 • Fax: 868.812.8025  
salesmx@tiitech.com.mx

Wall mount fiber distribution unit designed to support patching and splicing in one unit. The enclosure has 2 adapter panel positions, allowing for a wide variety of fiber termination connector types. Two compartments separate the network terminations from the distribution terminations, and the unit has a single outer door with optional key lock.

#### KEY PRODUCT BENEFITS

- ▶ Available with factory loaded adapter plates, splice trays and pigtails
- ▶ Suitable for loose tube, tight buffer and ribbon cable
- ▶ Cable entry tie down points
- ▶ Single door with optional key lock available
- ▶ Top or bottom cable entry
- ▶ LGX® compatible adapter plates
- ▶ Made in USA

# WM2PBF



## SPECIFICATIONS

Property	Value
Adapter Plates	2
Splice Trays	4
Dimensions	9.5"H x 13"W x 3.5"D
Packaging	10"H x 14"W x 4"D
Weight	7 lbs empty, 10 lbs typical loaded
Material	18 GA Steel, Black powder coat

## ORDERING INFORMATION

### Model Number Matrix

WM2PBF	-XXX	-X	-XX	-X	-X
	Fiber Ports	Fiber Type	Adapter	Pigtails & Splice Trays	Key Lock
	006	R = Singlemode	FC - FC	N = None	L
	008	K = MM62.5 OM1	FA - FC APC	9 = 900um	
	012	C = MM50 OM2	LC - LC	R = 12 Fiber Ribbon	
	024	S = MM50 OM3	SC - SC		
			SA - SC APC		
			ST - ST		

Model #	Description
WM2PBF	Wallmount patch panel empty 2 LGX adapter plate capacity
RM-SPL-BKT-4	Splice tray mounting bracket 4 tray capacity
TRAY7	Splice tray 7 inch 12 fiber single fusion
LG1-xxxxxx-B	LG1 series adapter plates in black (See LG1 product guide)