

## RM1U2S

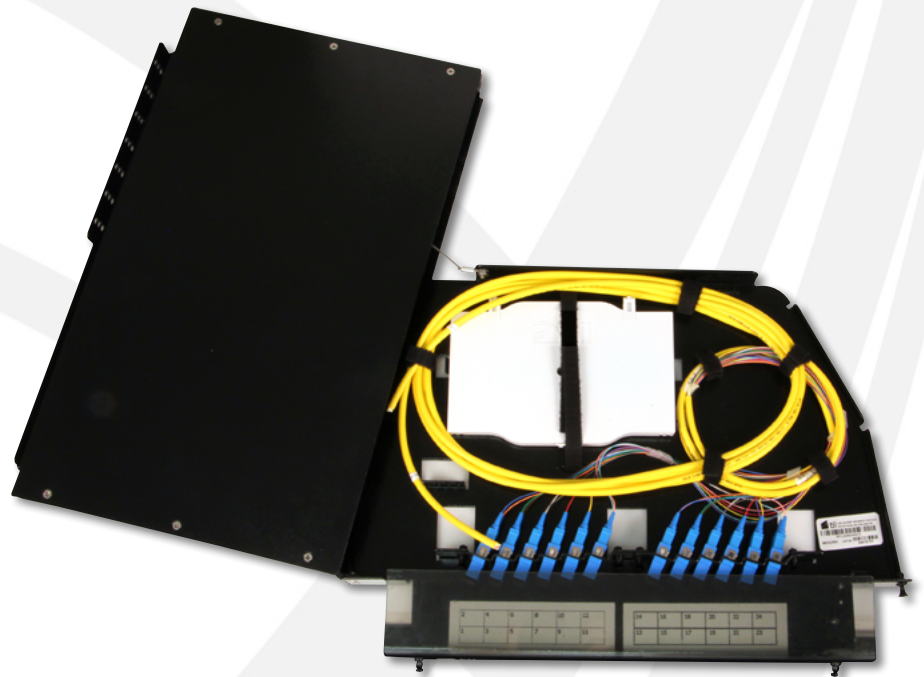
### *Swingout Patch and Splice Panel*

Accommodates Up to  
24 Fiber Ports

Available with Various Fiber  
Termination Connectors

Multiple Pigtail and Splice Tray  
Options Available

Used in Telecom Closets,  
Data Centers and Remote  
Distribution Terminals



RM1U2S

The RM1U2S is a 1 RU, 2 termination panel rackmount fiber distribution unit designed to support both patching and splicing in one unit. The enclosure has a swing out master panel that allows for easy access of terminations, fiber management and splicing.

#### KEY PRODUCT BENEFITS

- ▶ Available with factory loaded adapter plates, splice trays and pigtails
- ▶ 19 or 23" rack mountable
- ▶ Direct termination or fusion splice pigtails
- ▶ Swing out master tray
- ▶ Multiple tie down points for buffer tubes and cable management
- ▶ Up to 2 adapter plates

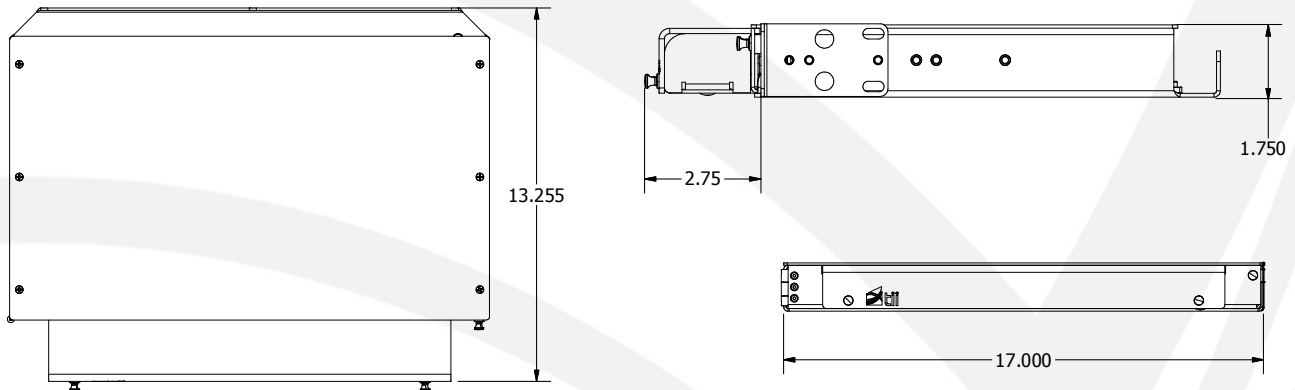


**Tii Technologies Inc.**

**Corporate Headquarters:**

141 Rodeo Drive  
Edgewood, NY 11717  
Phone: 631.789.5000 • Fax: 631.789.5063  
Toll Free: 888.844.4720  
sales@tiitech.com

# RM1U2S



Dimensions are in Inches

## SPECIFICATIONS

Property	Value
Adapter Plates	2
Splice Trays	2
Protrusion	2.75"
Dimensions	1.75" H x 17.0" W x 13.26" D
Packaging	5.25" H x 20.5" W x 17.5" D
Weight	7 lbs empty, 9 lbs typical loaded
Material	0.08" Aluminum, Black powder coat

## ORDERING INFORMATION

### Model Number Matrix

RM1U2S	-XXX	-X	-XX	-X
	Fiber Ports	Fiber Type	Adapter	Pigtails & Splice Trays
	006	R = Singlemode	LC - LC	N = None
	008	K = MM62.5 OM1	SC - SC	9 = 900um
	012	C = MM50 OM2	SA - SC APC	R = 12 Fiber Ribbon
	016	S = MM50 OM3		5 = 250um
	018			
	024			

## ACCESSORIES

Model #	Description
RM1U2S	1 RU Patch Panel, Empty 2 Adapter Plate Capacity
FST-ASF24	Splice Tray 24 Single Fusion
FST-AMF06	Splice Tray 6 Mass Fusion, 72 Fibers
LG1-xxxxxx-B	LG1 Series Adapter Plates in Black (See LG1 product guide)