

PLCD Series

1xN PLC Splitter Module

FTTx PON Cabinets,
Pedestals, Hubs
and Closures

Local Convergence Points
(LCP)

CATV



1xN Planar Light wave Circuit (PLC) Splitters are based on the Plasma Chemical Vapor Deposition (P-CVD) technology for providing stable optical performance characteristics. PLC Splitter features guaranteed performance specifications and high reliability that surpass Telcordia requirements and is suitable for many Singlemode optical splitting applications.

KEY PRODUCT BENEFITS

- ▶ Low insertion loss and high maximum power tolerance
- ▶ Excellent splitting uniformity over broadband operating wavelengths
- ▶ Small rugged module packaging
- ▶ Parking lot included
- ▶ G657A improved bend loss fiber
- ▶ Installations in extreme temperatures down -40°C

INDUSTRY STANDARDS

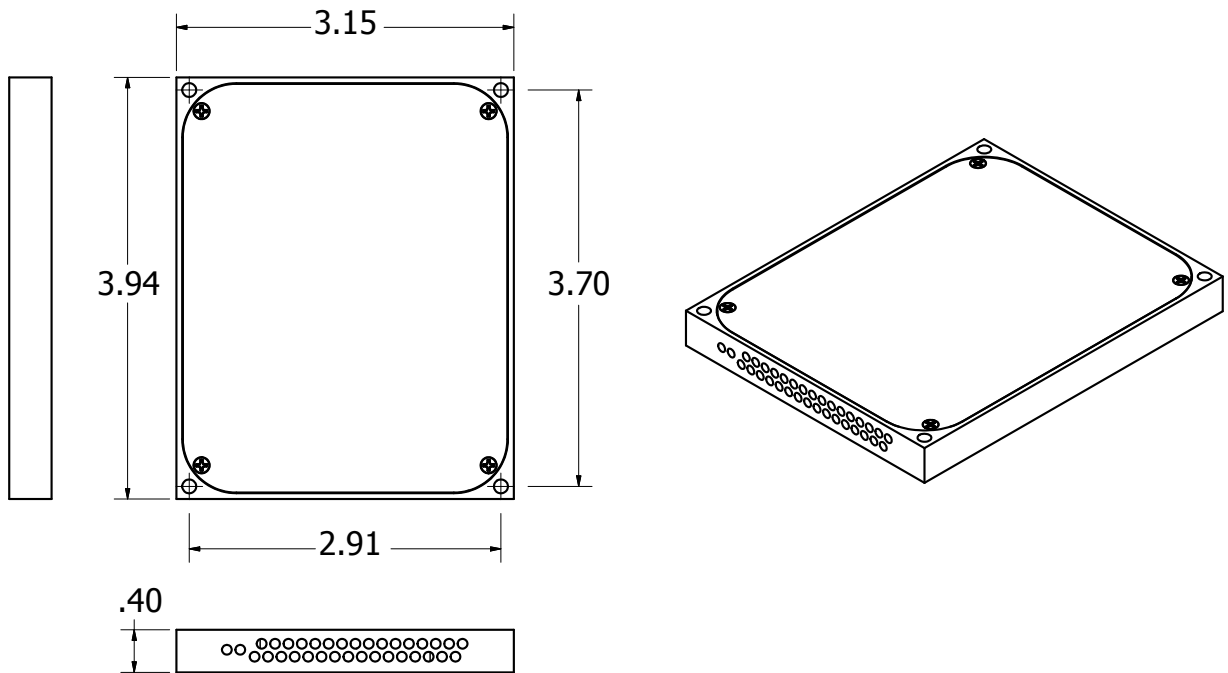
- ▶ Meets ITU-T G.657.A1, GR-326, GR-1209, GR-1221 Compliance



Tii Technologies Inc.

Corporate Headquarters:

141 Rodeo Drive
Edgewood, NY 11717
Phone: 631.789.5000
Fax: 631.789.5063
Toll Free: 888.844.4720
sales@tiitech.com



Dimensions are in Inches

| Parameters* | 1x4 | 1x8 |
|-----------------------|--|---------|
| Operating Wavelength | 1260nm ~ 1650nm | |
| Insertion Loss, Max | 7.5 dB | 10.8 dB |
| Uniformity, Max | 0.6 dB | 0.8 dB |
| PDL, Max. | 0.3 dB | 0.3 dB |
| WDL | 0.3 dB | 0.3 dB |
| Return Loss, Min | 50 dB UPC, 55 dB APC | |
| Directivity, Min | 55 dB | |
| Cable Type | 2.0 mm | |
| Cable Leg Length | 51 Inches | |
| Operating Temperature | -40°C to +85°C Install, -55°C to +85°C Operational | |
| Module Dimensions | 3.94" x 3.15" x 0.39" (100mm x 80mm x 10mm) | |
| Compliance | ITU-T G.657.A1, GR-326, GR-1209, GR-1221 | |

*Parameter Performance values shown at room temperature, 1310/1550nm terminated

ORDERING INFORMATION

| PLCD | XXX | XX | XX |
|------|-----------|-------------|----------------|
| | Ports | Connector | Leg Length |
| | 104 = 1x4 | LA = LC-APC | 51 = 51 Inches |
| | 108 = 1x8 | LC = LC-UPC | |
| | | SA = SC-APC | |
| | | SC = SC-UPC | |