

## ONT-SE1

### *Optical Network Terminal Slack Storage Enclosure*

Provides Storage For Up to  
50' of Flat Drop Fiber Cable

Can Be Mounted  
On Any Surface

Mounting Provisions  
For a Variety of Indoor/  
Outdoor ONTs

Accommodates Optional  
Tii FP Series Adapter Plate



SHOWN WITH REMOVABLE  
FRONT COVER

The ONT-SE1 is an indoor/outdoor slack storage enclosure which can accommodate up to 50 ft. of flat drop fiber with adjustable fiber retention fingers. This unit ships with hardware necessary to mount several industry standard indoor and outdoor ONTs on the removable front cover which is secured with four screws. Includes mounting provisions for Tii's FP Series adapter plate (not included) which can be used to configure up to 12 fiber terminations.

### KEY PRODUCT BENEFITS

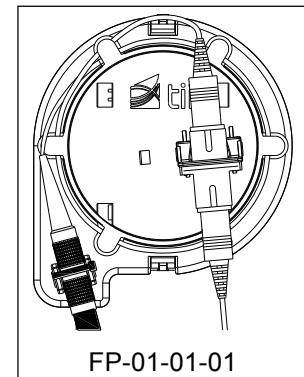
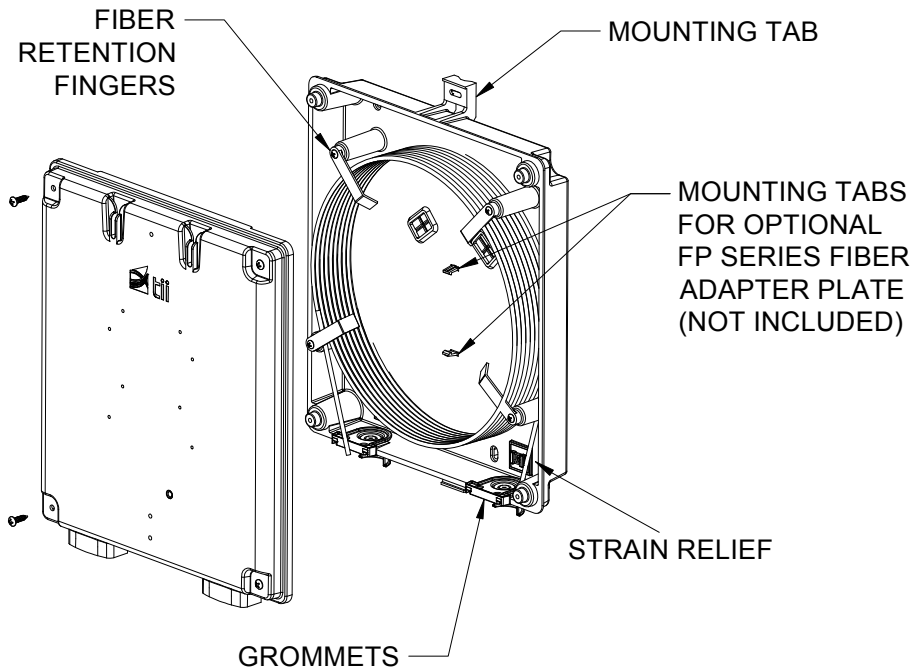
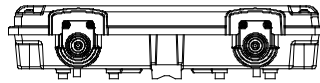
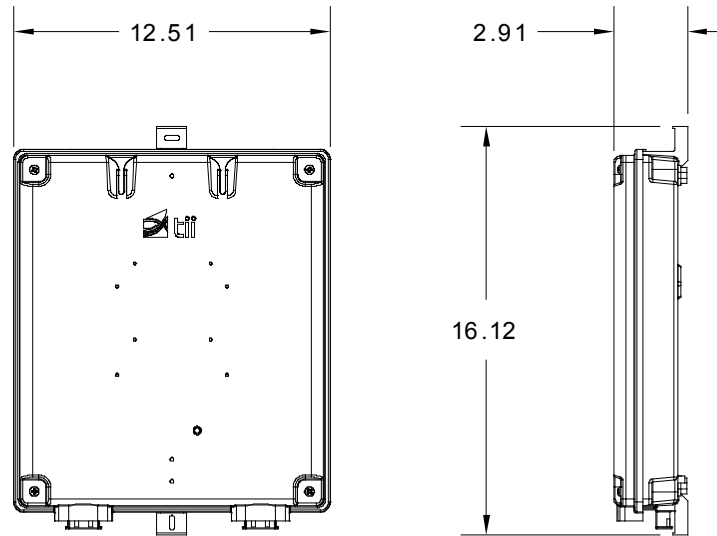
- ▶ Can be mounted on any surface with screws (not included).
- ▶ Includes mounting tabs for optional Tii FP Series Fiber Adapter Plate (not included)
- ▶ A hardware kit is provided to enable mounting the following ONTs on the front cover:
  - Calix Outdoor Model 721GE
  - Calix Indoor Model 726GE
  - Alcatel Lucent Outdoor Model 3FE50683APAC
  - Alcatel Lucent Indoor Model 3FE51880AAAB
  - Motorola Outdoor Model ONT1400GT



**Tii Technologies Inc.**

**Corporate Headquarters:**  
141 Rodeo Drive  
Edgewood, NY 11717  
Phone: 631.789.5000  
Fax: 631.789.5063  
Toll Free: 888.844.4720  
sales@tiitech.com

# ONT-SE1



ADAPTER PLATE WITH SINGLE SC ADAPTER

Dimensions are in Inches

## ORDERING INFORMATION

Model No.	Description
ONT-SE1	Optical Network Terminal Slack Storage Enclosure