

FSD Series

Fiber Optic Splice Dome Enclosure

IPX8 Rated - Completely Sealed
and Pressurizable

Sealed with Roxtec
Multidiameter™ Seals

Cold Sealing Technology
Robust Enclosure Design
Available in 2 Sizes

Telcordia Compliant



Tii Technologies Inc.

Corporate Headquarters:

141 Rodeo Drive • Edgewood, NY 11717
Phone: 631.789.5000 • Fax: 631.789.5063
Toll Free: 888.844.4720
sales@tiitech.com

Locations:

Porta Systems, Ltd.

South March • Long March Industrial Estate
Daventry, Northamptonshire, NN11 4PH
Phone: +44 (0) 1327 301853
Fax: +44 (0) 1327 879532
sales@portasystems.co.uk

Porta Systems SA. de C.V.

Av. José de Escandón y Helguera
No. 21 Ciudad Industrial
Matamoros, Tamaulipas, C.P. 87494, México
Phone: 868.812.8011 • Fax: 868.812.8025
customerservice@portasystems.com.mx



The Tii fiber optic splice enclosure is a butt end splice closure equipped with Roxtec cable sealing technologies. Constructed of superior materials to withstand harsh outdoor environments, such as UV degradation, chemical exposure and cold temperatures to ensure continuous operation of high speed fiber networks. The seals in the ports of the lid prevent gas, water or humidity from entering the enclosure.

The cable seals utilize Roxtec industry proven Multidiameter™ removable rubber layer seals, which provide adaptability to cables of different sizes as well as optional spare capacity for upgrades. The enclosure not only provides certified protection, it is also designed to simplify fiber management and ensure quick and easy installation.

The enclosure provides superior storage capacity - the six individual cable ports of the splice box provide a platform for single and/or multiple fiber drops. Certain ports are connected to enable mid-span connectivity. The smaller enclosure houses four splice trays for up to 96 individual or 576 ribbon fusion splices. The larger enclosure houses eight splice trays for up to 192 individual or 1,152 ribbon fusion splices.

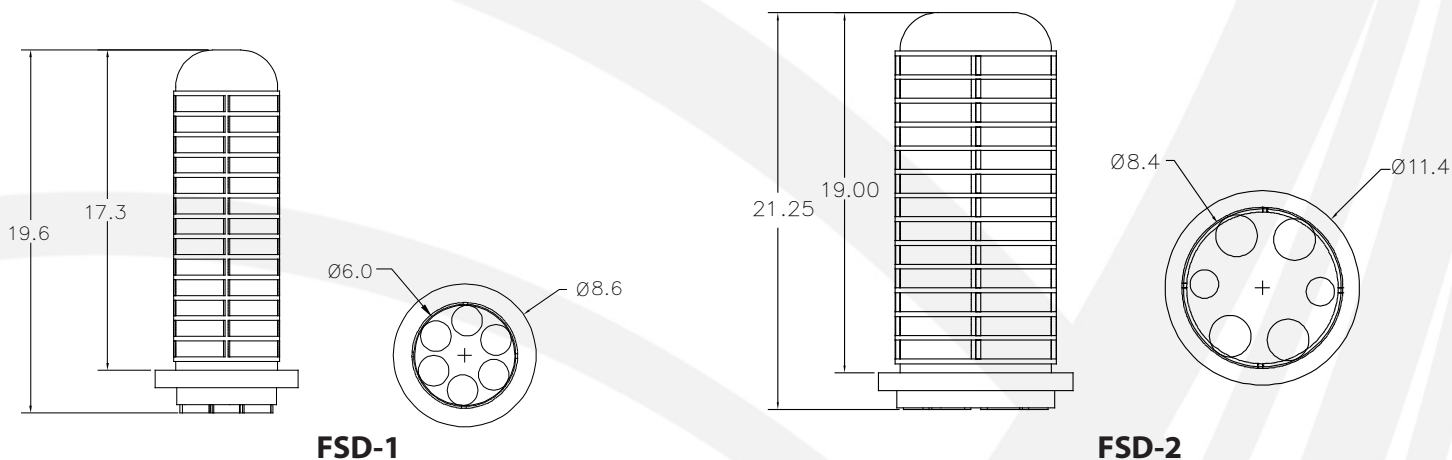
KEY PRODUCT BENEFITS

- ▶ Constructed of a robust polypropylene material to withstand harsh environmental conditions.
- ▶ Available in two sizes.
- ▶ Splice trays are hinged for easy access to splices.
- ▶ Can be used in aerial, pedestal, or below grade environments.
- ▶ Utilizes Roxtec mechanical seal technology to accommodate a variety of cable sizes.
- ▶ Superior storage capacity allows for up to 192 individual fiber cables.

INDUSTRY STANDARDS

- ▶ Telcordia Compliant.

FSD Series



Dimensions are in Inches

Model No.	Cable Ports & Cable Sizes	# Splice Trays	Splice Capacity	Grommets small – 8-18 mm – RSL-31	Grommets large - 8-30mm – RSL-50
FSD-1	6x - 8 to 18mm	4	96 single 576 ribbon	0-6	0
FSD-2	2x - 8 to 18mm 4x - 8 to 30mm	8	192 single 1,152 ribbon	0-2	0-4

ORDERING INFORMATION

Model No.	Description
FSD-1120N	FSD SERIES 1 WITH 1 SPLICE TRAY 2 SMALL GROMMETS
FSD-2102N	FSD SERIES 2 WITH 1 SPLICE TRAY 2 LARGE GROMMETS
FSD-TU	SPLICE TRAY 24 SINGLE/144 MASS FUSION
FSD-G18	CABLE ENTRY GROMMET RSL-31 SMALL 8-18MM
FSD-G30	CABLE ENTRY GROMMET RSL-50 LARGE 8-30MM
FSD-1A	FSD-1 AERIAL STRAPS
FSD-2A	FSD-2 AERIAL STRAPS

