

HCCS Series

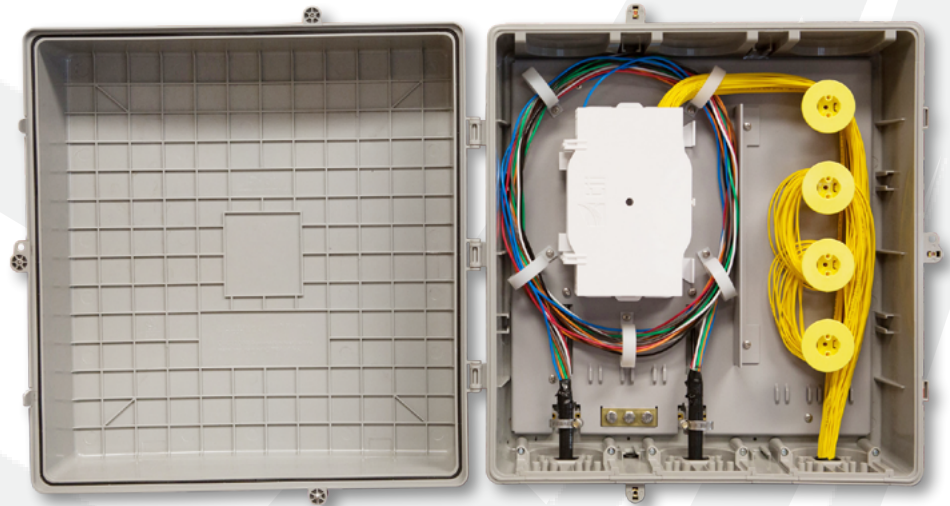
Modular Fiber Splice Enclosure

FTTP

MDU

Enterprise LAN

Industrial Networks



Hybrid Connectivity Closure is a weatherproof plastic enclosure for indoor and outdoor use that can be wall or pole mounted. The HCCS is configured as a high density solution for up to 192 single / 576 mass fusion splice.

KEY PRODUCT BENEFITS

- ▶ 192 single fusion splice
- ▶ 576 mass fusion splice
- ▶ Distribution exit
- ▶ Mid-span cable access
- ▶ Multiple cable entry/exit modules for exact fit cable and conduit up to 1.5"
- ▶ Feeder entry
- ▶ Pole and wall mount
- ▶ Adjustable and fixed skirt options

INDUSTRY STANDARDS

- ▶ NEMA-4, IP-66
- ▶ UL-2416
- ▶ GR-3123



Tii Technologies Inc.

Corporate Headquarters:

141 Rodeo Drive
Edgewood, NY 11717

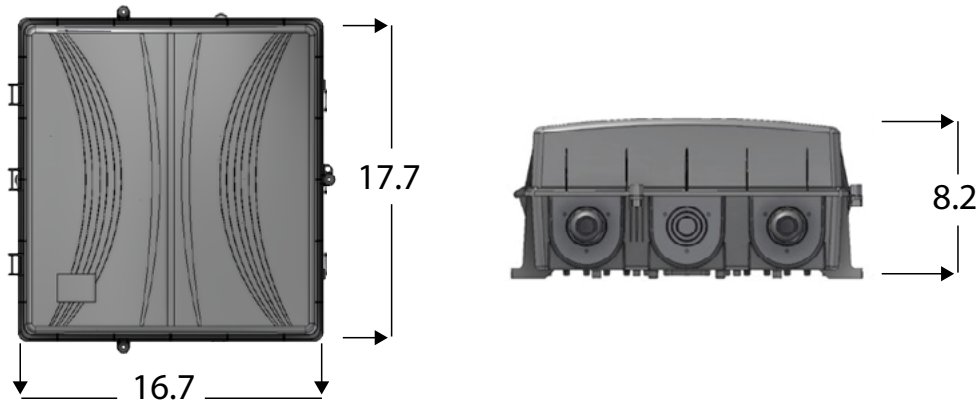
Phone: 631.789.5000

Fax: 631.789.5063

Toll Free: 888.844.4720

sales@tiitech.com

HCCS Series



Dimensions are in Inches

SPECIFICATIONS

FST Splice Trays	Up to 8
Cable Entry Modules	3 bottom, optional 3 top
Dimensions (H x W x D)	18" x 17" x 8.2"
Packaging	26" x 23" x 12"
Shipping Weight (Typical)	25 lbs.

ORDERING INFORMATION

HCCS	X	X	X	X
	Cable Ports	Mounting Style	Tray Style	Tray Quantity
	3 = Bottom Standard (NEMA 3) 4 = Bottom Conduit (NEMA 4) A = Top/Bottom Standard (NEMA 3) C = Top/Bottom Conduit (NEMA 3)	W = Wall P = Pole or Wall	A = 24SF / 72MF Stackable D = 48SF / 144MF Fold Down	Style "A" = 1 to 8 Style "D" = 1 to 4