

HCCP-LC Series

Modular Fiber Patch & Splice Enclosure

FTTP

MDU

Enterprise LAN

Industrial Networks



HCCP-SC

Hybrid Connectivity Closure is a weatherproof family of plastic enclosures for indoor and outdoor use that can be wall or pole mounted. The HCCP is configured as a high density modular cassette patch and splice solution for up to 144 customer service drops. Flexible design and options support a wide range of deployment styles including fusion splicing and field termination.

KEY PRODUCT BENEFITS

- ▶ 144 LC fiber distribution
- ▶ Modular patch & splice cassettes for added flexibility
- ▶ Swing away patch ports hold 6 modules
- ▶ Express cable with extra splicing capacity
- ▶ Mid-span cable access
- ▶ Multiple cable entry/exit modules for exact fit cable and conduit up to 1.5"
- ▶ Pole and wall mount
- ▶ Adjustable and fixed skirt options

INDUSTRY STANDARDS

- ▶ NEMA-4, IP-66
- ▶ UL-2416
- ▶ GR-3123, GR-326



Tii Technologies Inc.

Corporate Headquarters:

141 Rodeo Drive
Edgewood, NY 11717

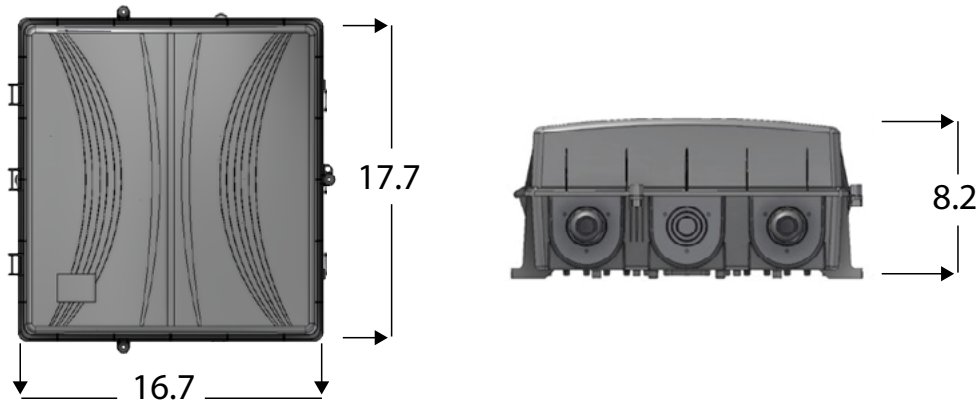
Phone: 631.789.5000

Fax: 631.789.5063

Toll Free: 888.844.4720

sales@tiitech.com

HCCP-LC Series



Dimensions are in Inches

SPECIFICATIONS

Patch & Splice Cassettes or Plates	Up to 6
FST Splice Trays	Up to 4
Cable Entry Modules	3 bottom, optional 3 top
Dimensions (H x W x D)	18" x 17" x 8.2"
Packaging	26" x 23" x 12"
Shipping Weight (Typical)	25 lbs.

ORDERING INFORMATION

HCCP	X	X	X	XX	X	X	X
	Cable Ports	Mounting Style	Fiber Type	Adapter Type	Dist. Count	Distribution Style	Splice Trays 24SF/72MF
	3 = Bottom Standard (NEMA 3)	W = Wall P = Pole or Wall	R = SM G.657A1	LA = LC-APC LC = LC-UPC	F = 24 J = 48 L = 72 N = 96 P = 144	C = Cassette Adapter only R = Cassette Ribbon Pigtail	0 - 4*
	4 = Bottom Conduit (NEMA 4)		N = SM G.657A2				
	A = Top/Bottom Standard (NEMA 3)		Z = SM G.657B3				
	C = Top/Bottom Conduit (NEMA 3)						

* Feeder and distributor splicing is done inside cassettes, these trays are for express tables

HCCP-LC Series

ORDERING INFORMATION - INDIVIDUAL ITEMS / ACCESSORIES

BASE MODULE

Model No.	Description
HCCP3	HCC Bottom Entry NEMA 3 for Indoor Use Rubber and Split Grommets
HCCP4	HCC Bottom Entry NEMA 4 for Indoor and Outdoor Use Conduit
HCCPA	HCC Top/Bottom Entry NEMA 3 for Indoor Use Rubber and Split Grommets
HCCPC	HCC Top/Bottom Entry NEMA 3 for Indoor Use Conduit

CASSETTES AND ADAPTER PLATES

Model No.	Description
HPC-24RLAR	Patch & Splice Cassette 24 Fiber LC-APC Ribbon
HPC-24RLCR	Patch & Splice Cassette 24 Fiber LC-UPC Ribbon
HPC-24RLAN	Patch Cassette 24 LC-APC Adapters only (no pigtails)
HPC-24RLCN	Patch Cassette 24 LC-UPC Adapters (no pigtails)

OTHER ACCESSORIES

Model No.	Description
FST-AUNIV	Splice Tray 24 Single / 6 Mass Fusion
FSK-HCC	Skirt Fixed 25"
ASK-HCC	Skirt Adjustable 25 – 51 Inch
PMB-HCC	Pole Mount Bracket Kit
HCCE-PORT	Cable Entry Split 3-Piece with Grommet
HCCN-GROM	Cable Entry Conduit ¾, 1, 1.5 Inch with Cone
HCCR-GROM	Cable Entry Rubber Grommet

Note: Other options and accessories are also available - please contact Tii customer service.