

HCCB Series

Hybrid Fiber Optic/ Copper Enclosure

FTTP

MDU

Enterprise

Industrial Networks



Configured as a hybrid Fiber/Copper solution for up to 48 fiber service drops and up to 25 paired copper service drops, the HCCB conserves space, time and budget in mixed-use commercial and residential buildings.

Equipped with both a 48F patch and splice as well as a full BET (building entrance terminal), the HCCB provides a turnkey product in a single housing. The fiber termination utilizes Tii's modular NG-MOM cassette and can be configured in a wide range of deployment styles including fusion splicing and field termination. The copper BET has options from 12 to 25 pairs utilizing either Tii's IHD & 525 series BET's or 117S protector panel with stub and splicing options available.

KEY PRODUCT BENEFITS

- ▶ 48 fiber distribution
- ▶ Modular patch & splice cassettes for added flexibility
- ▶ Multiple options for copper building entrance termination
- ▶ Express cable with extra splicing capacity
- ▶ Multiple cable entry/exit modules for exact fit cable and conduit up to 1.5"
- ▶ Pole and wall mount
- ▶ Adjustable and fixed skirt options

INDUSTRY STANDARDS

- ▶ NEMA-4, IP-66
- ▶ UL-2416
- ▶ GR-3123, GR-326

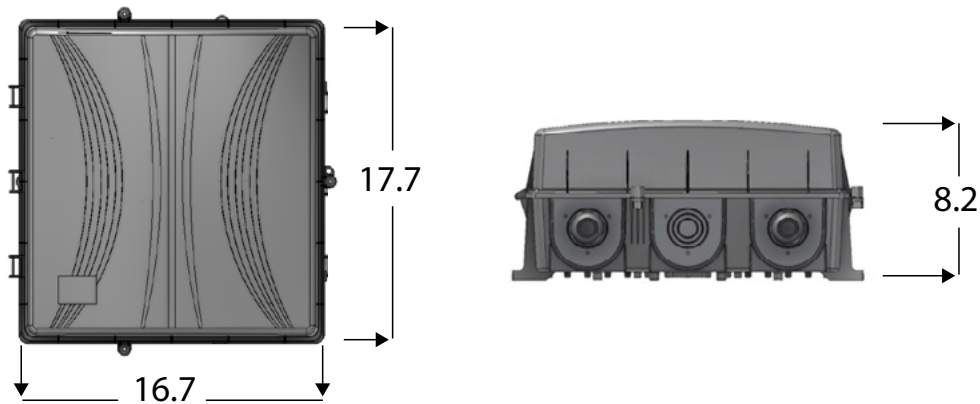


Tii Technologies Inc.

Corporate Headquarters:

141 Rodeo Drive
Edgewood, NY 11717
Phone: 631.789.5000
Fax: 631.789.5063
Toll Free: 888.844.4720
sales@tiitech.com

HCCB Series



Dimensions are in Inches

SPECIFICATIONS

Patch & Splice Cassettes or Plates	Up to 4
FST Splice Trays	Up to 3
Cable Entry Modules	3 bottom, optional 3 top
Dimensions (H x W x D)	18" x 17" x 8.2"
Packaging	26" x 23" x 12"
Shipping Weight (Typical)	25 lbs.

ORDERING INFORMATION

HCCB	X	X	X	XX	X	X	X	X	X	XXX
Cable Ports	Mounting Style	Fiber Type	Adapter Type	Distr. Count	Distr. Style	Splice Trays 24SF/72MF	BET Type	BET Output	BET Input	Cable Length
3 = Bottom Standard (NEMA 3)	W = Wall P = Pole or Wall	R = SM G.657A1	LA = LC-APC LC = LC-UPC	B = 12 F = 24	C = Cassette Adapter only 9 = Cassette 900um Pigtail	1-3*	D = IHD 25 Pair 5-Pin BET B = 525 25 pair 5-Pin BEP	IHD Only P = Toolless IDC	IHD Only G = Stub Cable H = MS2 Gel K = MS2 Dry P = 710 Gel T = 710 Dry N = Raw Cable	000 = No Stub** 007 = 7 ft. 025 = 25 ft. 050 = 50 ft. 100 = 100 ft.
4 = Bottom Conduit (NEMA 4)		N = SM G.657A2	SA = SC/APC SC = SC/UPC	H = 36 J = 48	R = Cassette Ribbon Pigtail P = Plate Adapters only		S = 117S 12 Pair Station Protector	525 Only 6 = 66 IDC 1 = 110 IDC M = Male RJ21 F = Female RJ21		
A = Top/Bottom Standard (NEMA 3)		Z = SM G.657B3						117S Only A = Angle Driver	525 Only 6 = 66 IDC 1 = 110 IDC M = Male RJ21 F = Female	
C = Top/Bottom Conduit (NEMA 3)										

* Feeder and distributor splicing is done inside cassettes, these trays are for express tables

** No stub options are only for Tii's 525 and 117S Series BETs

HCCB Series

ORDERING INFORMATION - INDIVIDUAL ITEMS / ACCESSORIES

BASE MODULE

Model No.	Description
HCCB3	HCC Bottom Entry NEMA 3 for Indoor Use Rubber and Split Grommets
HCCB4	HCC Bottom Entry NEMA 4 for Indoor and Outdoor Use Conduit
HCCBA	HCC Top/Bottom Entry NEMA 3 for Indoor Use Rubber and Split Grommets
HCCBC	HCC Top/Bottom Entry NEMA 3 for Indoor Use Conduit

CASSETTES AND ADAPTER PLATES

Model No.	Description
HPC-12RSAR	Patch & Splice Cassette 12 Fiber SC-APC Ribbon
HPC-12RSA9	Patch & Splice Cassette 12 Fiber SC-APC 900um
HPC-12RSAN	Patch Cassette 12 SC-APC Adapters only (no pigtails)
HPP-12RSAN	Adapter Plate 12 SC-APC (no pigtails)

OTHER ACCESSORIES

Model No.	Description
FST-AUNIV	Splice Tray 24 Single / 6 Mass Fusion
FSK-HCC	Skirt Fixed 25"
ASK-HCC	Skirt Adjustable 25 – 51 Inch
PMB-HCC	Pole Mount Bracket Kit
HCCE-PORT	Cable Entry Split 3-Piece with Grommet
HCCN-GROM	Cable Entry Conduit ¾, 1, 1.5 Inch with Cone
HCCR-GROM	Cable Entry Rubber Grommet

Note: Other options and accessories are also available - please contact Tii customer service.