

FDH2 Series

Fiber Distribution Hub

72-144 Port Fiber Distribution Hub for Indoor and Outdoor Demarcation Points and MDU Distribution

Flexible, Multi-Application

Available with Adapters, Splice Trays and Pigtails

Up to 5 Splitter Module Capacity

Multiple Cable Entry Points

Removable/Lockable Door



The FDH2 Series is a wall mount fiber distribution hub designed to support patching, splicing and optical splitting in one unit. The enclosure has 13 adapter panel positions allowing for a wide variety of patching and splitting combinations. The central inner door separates the installed customer drops and feeder cable to allow easy technician access for ongoing customer maintenance of service utilizing the PON splitter parking lot.

KEY PRODUCT BENEFITS

- ▶ Accommodates 72-144 fiber ports for use in indoor and outdoor demarcation points and MDU distribution applications
- ▶ Available with adapters, splice trays and pigtails
- ▶ Door is removable for easy handling and maintenance
- ▶ Multiple cable entry points for quick termination
- ▶ Up to 5 splitter module capacity

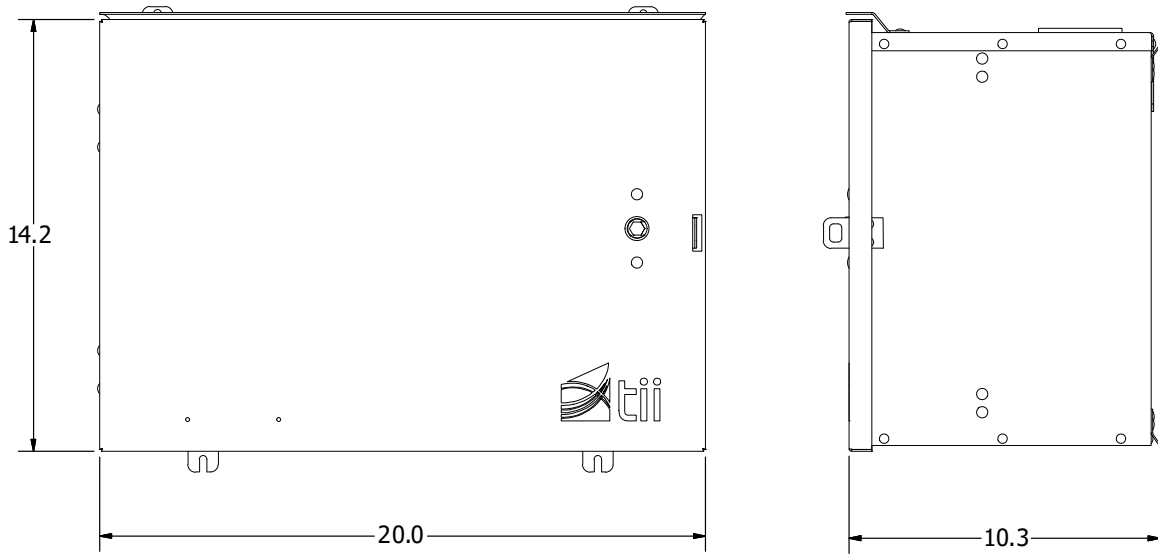


Tii Technologies Inc.

Corporate Headquarters:

141 Rodeo Drive
Edgewood, NY 11717
Phone: 631.789.5000
Fax: 631.789.5063
Toll Free: 888.844.4720
sales@tiitech.com

FDH2



Dimensions are in Inches

ORDERING INFORMATION

FDH2	X	X	XX	X	X	X	X	X	XX
Ports	Fiber Mode	Adapters	Feeder Loaded	Feeder Fiber Count	Distribution Loaded	24 Fiber Splice Trays	Splitter Type	Splitter Qty Loaded	
L = 72	R = OS2	LC = LC UPC	0 = None	0 = None	0 = None	0-7	0 = None	0-5	
N = 96		SA = SC APC	1 = M1 Fanout	6 = 6	5 = 250um Pigtailed		1 = 1x8		
O = 128		SC = SC UPC	5 = 250um Pigtail	B = 12	9 = 900um Pigtailed		2 = 1x16		
P = 144			9 = 900um Pigtail	J = 48	M = MPO Fanout		3 = 1x32		
			R = Ribbon Pigtail	L = 72	R = Ribbon Pigtailed				
				N = 96					
				O = 128					
				P = 144					