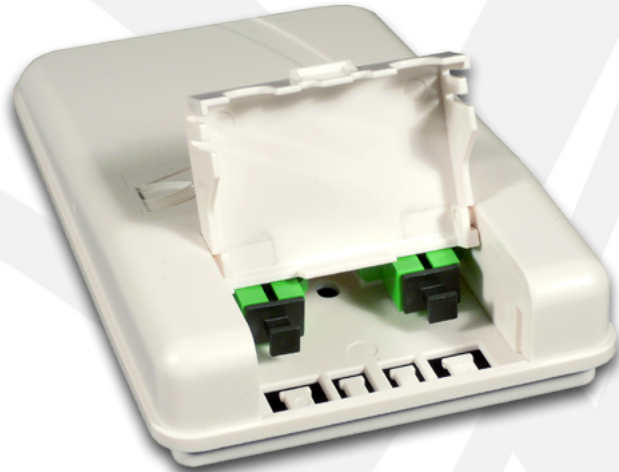


CCP3 Series

Fiber Optic Customer Connection Point

Ideally Suited as MDU and
FTTH ONT Access Point
and FTTH Desktop Access Point
Accommodates Up to 2 Fiber Ports
Direct Termination or Fusion
Splice Configurations
SC, SC-APC Interface



Tii Technologies Inc.

Corporate Headquarters:

141 Rodeo Drive
Edgewood, NY 11717
Phone: 631.789.5000 • Fax: 631.789.5063
Toll Free: 888.844.4720
sales@tiitech.com

Locations:

South March
Long March Industrial Estate
Daventry, Northamptonshire, NN11 4PH, UK
Phone: +44 (0) 1327 301853
Fax: +44 (0) 1327 879532
sales@tiitech.co.uk

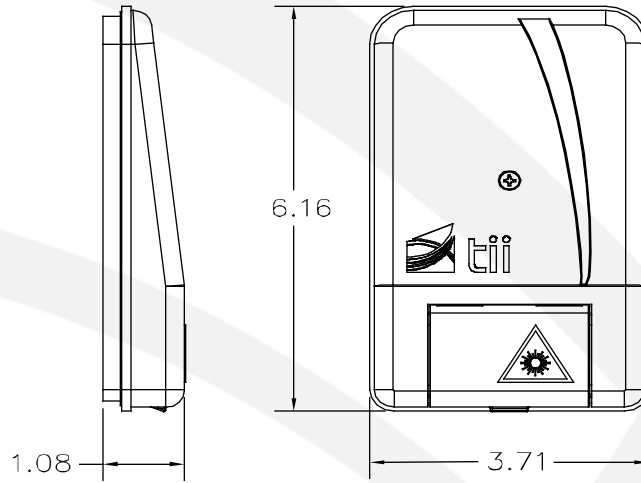
Av. José de Escandón y Helguera
No. 21 Ciudad Industrial
Matamoros, Tamaulipas, C.P. 87494, México
Phone: 868.812.8011 • Fax: 868.812.8025
salesmx@tiitech.com.mx

The CCP3 Series is a compact, indoor wall mount fiber termination and distribution enclosure. This unit is typically used as MDU ONT access point, FTTH ONT access point as well as FTTH desktop access point.

KEY PRODUCT BENEFITS

- ▶ Accommodates SC, SC-APC connectors.
- ▶ Compact design can terminate up to 2 fibers.
- ▶ Direct termination or fusion splice configurations.
- ▶ Ideally used as an access point for MDU and FTTH ONTs as well as FTTH.
- ▶ Multiple cable entry options.
- ▶ Available with factory loaded pigtailed.

CCP3 Series



Dimensions are in Inches

SPECIFICATIONS

Property	Value
Interface	Up to 2 ports SC, SC-APC
Splice Capacity	2 x 40mm
Physical Dimensions	6.16"H x 3.71"W x 1.08"D
Material	Molded plastic, white

ORDERING INFORMATION

Model No.	Description
CCP3R1SAN	1 PORT PATCH PANEL SC-APC
CCP3R1SA9	1 PORT PATCH & SPLICE PANEL SM SC-APC 900UM PIGTAIL
CCP3R1SCN	1 PORT PATCH PANEL SC
CCP3R1SC9	1 PORT PATCH & SPLICE PANEL SM SC-UPC 900UM PIGTAIL
CCP3R2SAN	2 PORT PATCH PANEL SC-APC
CCP3R2SA9	2 PORT PATCH & SPLICE PANEL SM SC-APC 900UM PIGTAILS
CCP3R2SCN	2 PORT PATCH PANEL SC
CCP3R2SC9	2 PORT PATCH & SPLICE PANEL SM SC-UPC 900UM PIGTAILS