

712 Series

MDU xDSL POTS Splitter Panel

For MDU Applications

Environmentally Sealed
IDC Terminations for xDSL
and Voice Signals

Equipped with Sealed
Test Points

Exceeds Telcordia
Severe Lightning Surge
Requirements

Wire Guide Retainers

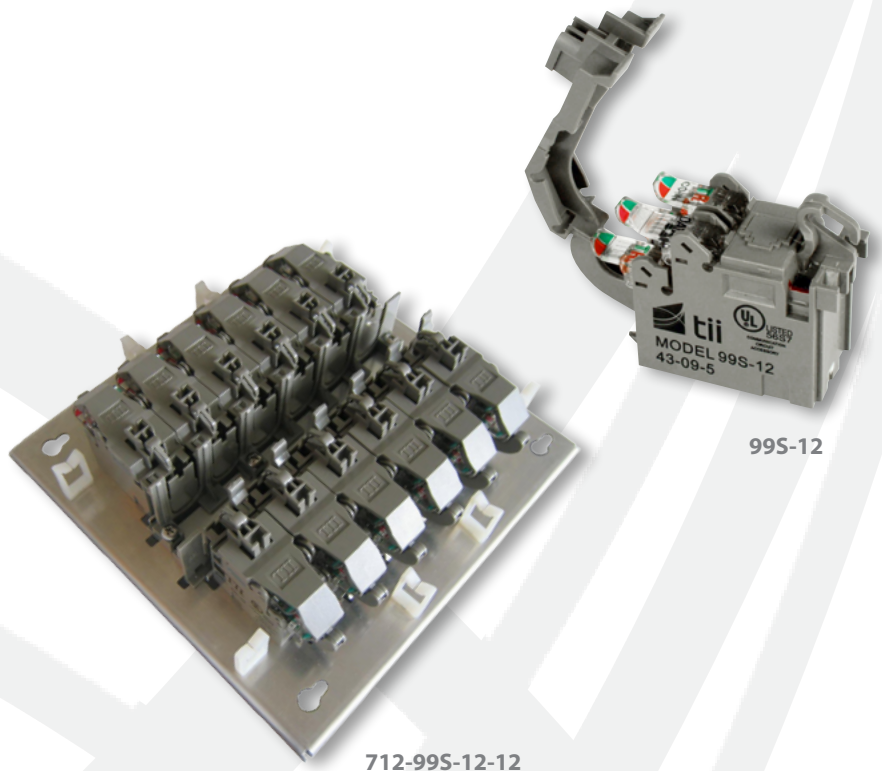


Tii Technologies Inc.

Corporate Headquarters:

141 Rodeo Drive
Edgewood, NY 11717
Phone: 631.789.5000
Fax: 631.789.5063
Toll Free: 888.844.4720
sales@tiitech.com

www.tiitech.com



The 712-99S-12 is equipped with 99S Series VDSL2/ADSL2+ POTS Splitter Modules that split the combined voice and data signal carried on telephone lines to provide separate outputs for both phone and data services. The 99S-12 utilizes enhanced circuit components to meet VDSL2/ADSL2+ service for IPTV requirements.

The 712 Series Mounting Plate comes equipped with wire guides and retainers to facilitate up to 12 99S-12 modules.

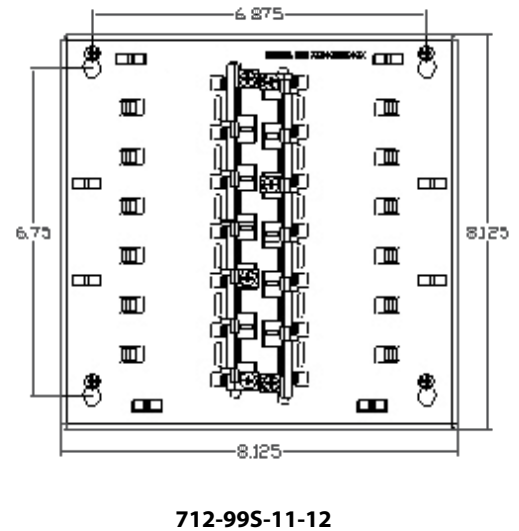
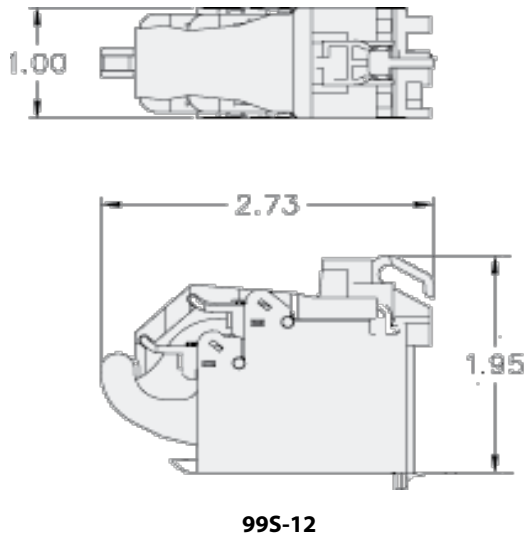
KEY PRODUCT BENEFITS

- ▶ Module's unique design provides customer bridging and VDSL2/ADSL2+, POTS splitting all in one module
- ▶ Module easily snaps in and out of the Series 712, 12 pair mounting plate. Additional modules may be purchased for expansion
- ▶ VDSL2, ADSL 2+, and IPTV compatible
- ▶ The 99S Splitter Module makes it possible to use a single phone line to provide both telephone and DSL internet access
- ▶ Scalable pair by pair deployment matches customer specific need without over spending on non-utilized assets
- ▶ The module includes a sealed test point access feature, which allows craft to test subscriber wiring. This greatly facilitates the testing process.

INDUSTRY STANDARDS

- ▶ ANSI T1.424 Compliant
- ▶ Listed to UL 1863

712 Series



Dimensions are in Inches

SPECIFICATIONS

ELECTRICAL (COMPLIES WITH ANSI T1.424 ISSUE 2 ANNEX E)

DC Loop Current	0 to 100 mA
DC Loop Voltage (tip-to-ring)	0 to -60V dc
Ringling Signals	103 Vrms superimposed on the DC Loop Voltage; 20 - 30 Hz
DC Resistance	< 20 ohms, POTS tip-to-ring with Line port (U-R) shorted
Insertion Loss (Short & Long Loop)	≤ 0.5 dB
Tip-to-Ring Capacitance, POTS Port	20 ≤ C ≤ 100 nF; 20 - 30 Hz

ENVIRONMENTAL

Lightning Surge	GR-1089 CORE Level 1 and Level 2 surge
Power Cross	GR-1089 CORE First and Second Level AC Power Fault Immunity
Operating Temperature	-40 to +65°C (-40 to 149°F)
Relative Humidity	0 to 95%, non-condensing
UL Listed	As a communication circuit accessory

ORDERING INFORMATION

Model No.	Description	Standard Pkg.
712-99S-11-02	12 Pair Mounting Plate with (2) 99S-11 Modules	4 pieces - 0.813 lbs. per unit
712-99S-11-06	12 Pair Mounting Plate with (6) 99S-11 Modules	4 pieces - 1.413 lbs. per unit
712-99S-11-12	12 Pair Mounting Plate with (12) 99S-11 Modules	4 pieces - 2.313 lbs. per unit
712-99S-12-02	12 Pair Mounting Plate with (2) 99S-12 Modules	4 pieces - 0.813 lbs. per unit
712-99S-12-06	12 Pair Mounting Plate with (6) 99S-12 Modules	4 pieces - 1.413 lbs. per unit
712-99S-12-12	12 Pair Mounting Plate with (12) 99S-12 Modules	4 pieces - 2.313 lbs. per unit
99S-11	VDSL/ASDL2+ POTS Splitter with Test Ports	20 pieces - 0.15 lbs. per unit
99S-12	VDSL2 POTS Splitter with Test Ports	20 pieces - 0.15 lbs. per unit